



Increase Privacy & Security In your Public Restrooms!

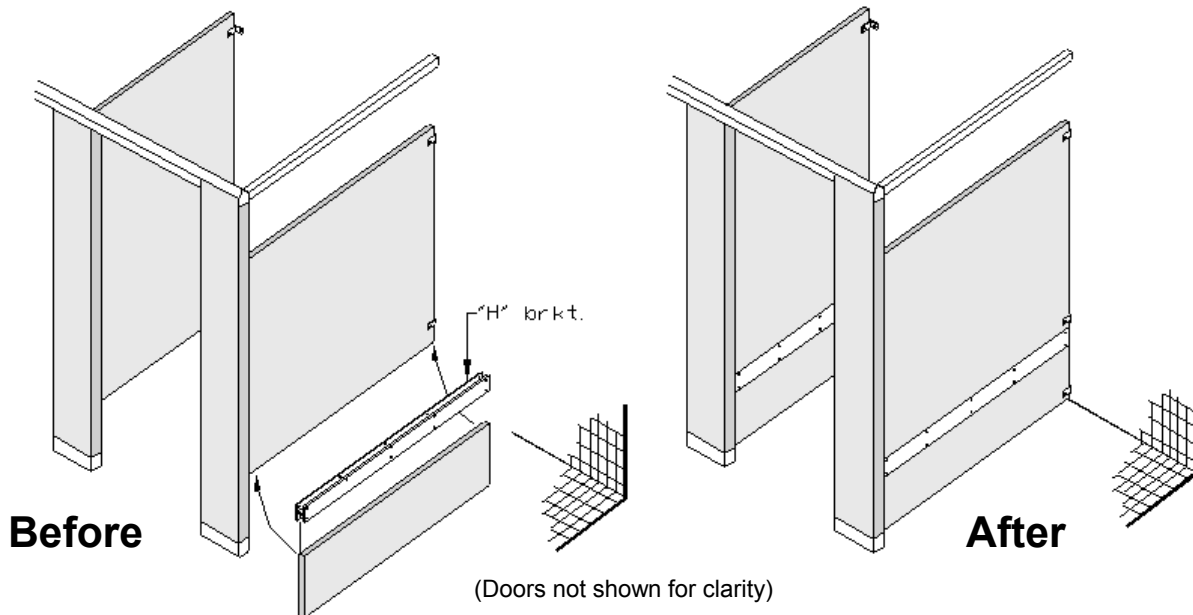


New from **Metpar...**

EXTEND-A-PANEL

We have developed a quick, easy, and inexpensive way to increase privacy and security in your public restrooms. As a leader in the toilet partition industry, we recognized the need to develop a product that would conceal the area between the bottom of the toilet partition side panels, and the floor. It's a universal kit that can easily be installed to your existing partitions to extend the panels to the floor, all without having to disassemble anything or drill any holes in the actual floor!

The standard **Extend-A-Panel** is a 1" thick panel, 10" x 57-3/4" overall (other custom sizes available), manufactured in heavy-duty type 304 stainless steel, with a double-faced honeycomb core. The kit contains a full-length attachment bracket, 2 side brackets, and all screws and hardware necessary for a complete installation.



You can install in just a few minutes, plus we have a nationwide network of distributors and installers that are also available if needed.

Call toll-free **888-638-7271** and tell us you're interested in the **Extend-A-Panel**, or visit our web site **www.metpar.com** and click on the **Extend-A-Panel** link.

We also have available **Door Privacy Strips** that can be installed on either side of the door to provide the utmost in privacy. These extruded aluminum strips install directly to the pilasters, blocking sight lines on the hinge and latch side of the door. (For stainless steel or baked enamel only.)



Call or click - - We can show you how easy this project can be.