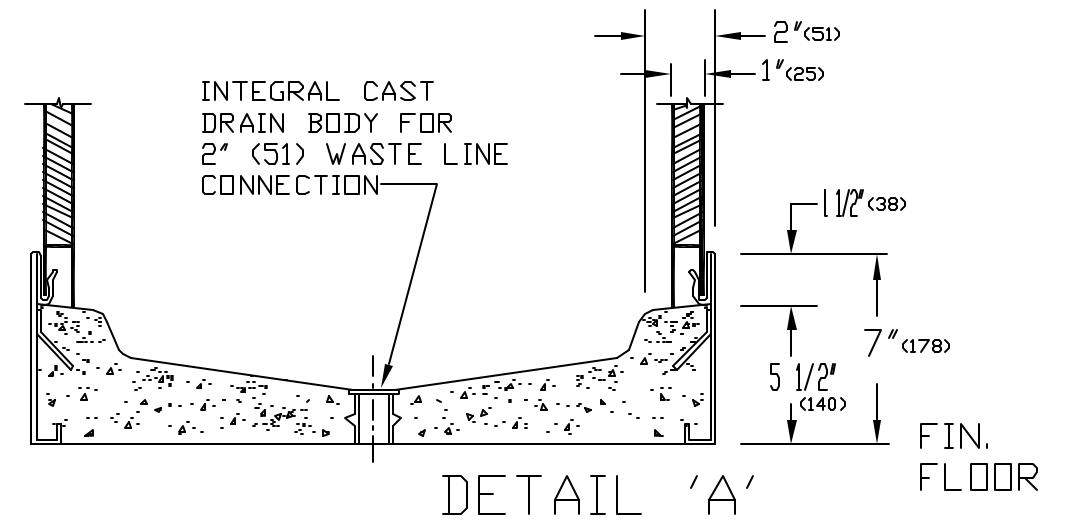
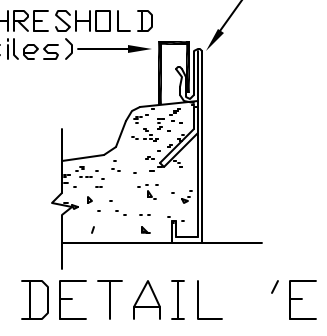
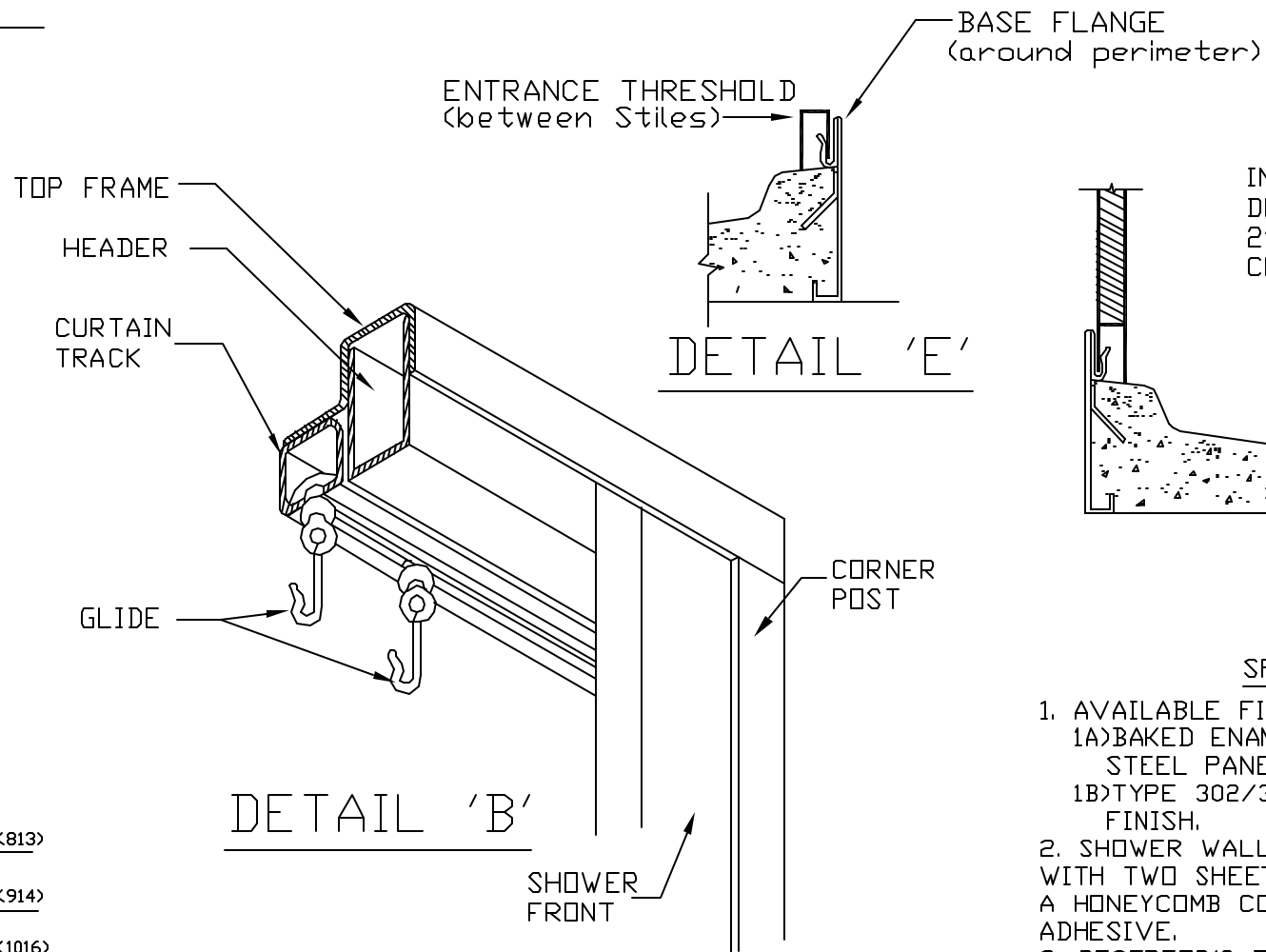
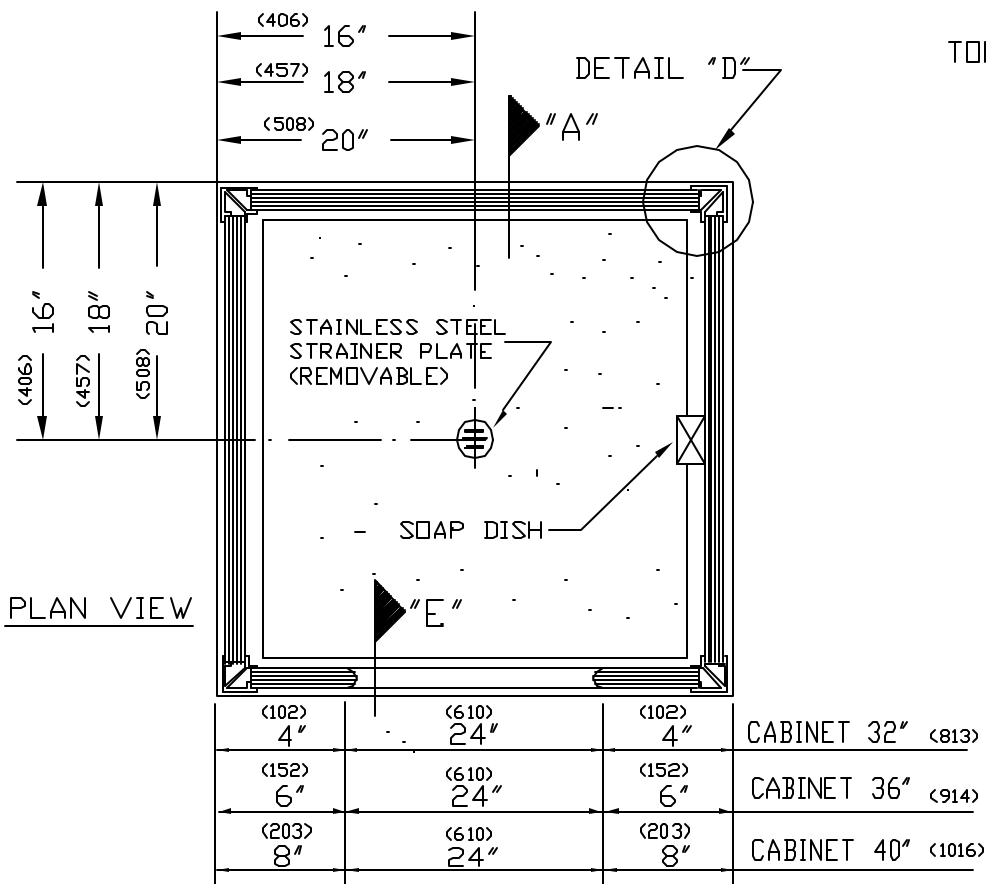
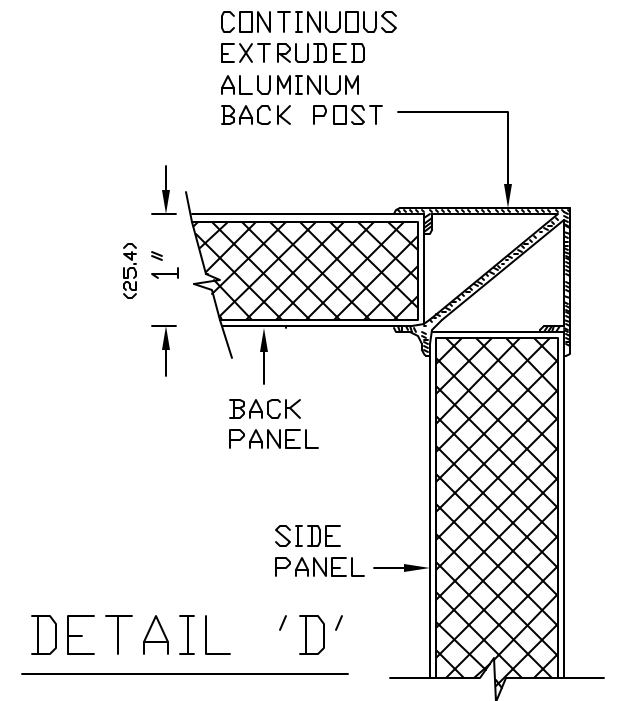
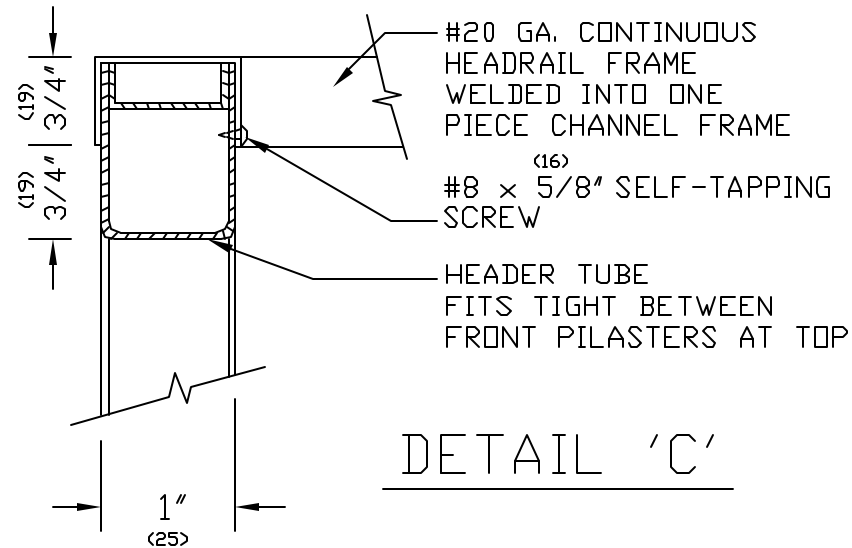
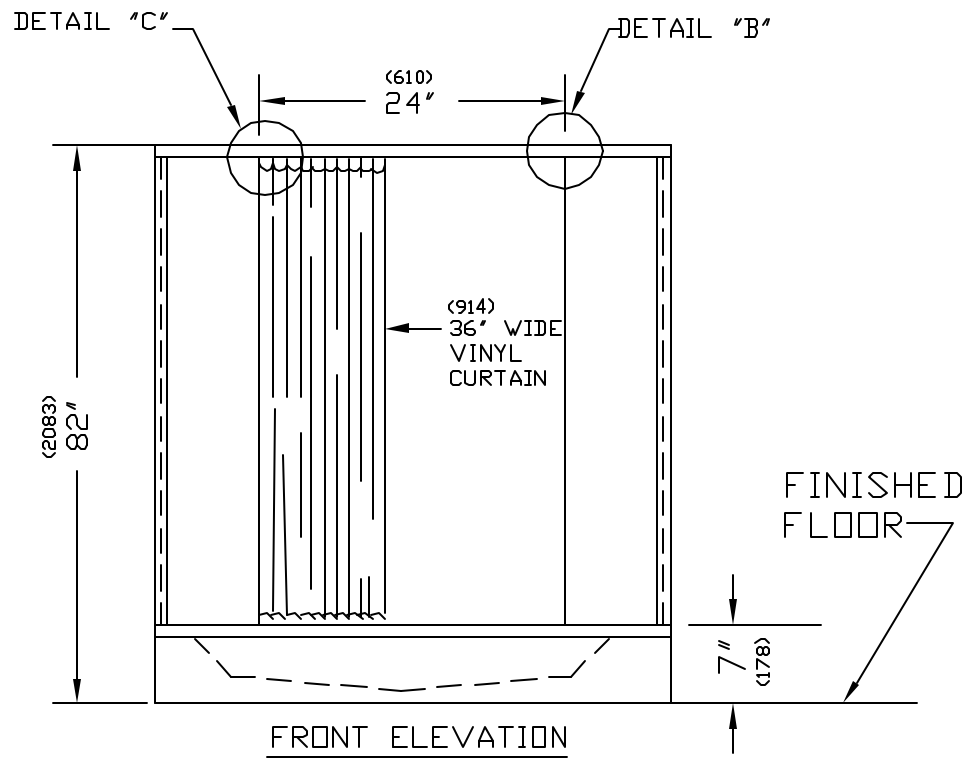


SH700 SHOWERS - Powder Shield & Stainless Steel

(Non-Handicap sizes)



SPECIFICATION'S

- AVAILABLE FINISHES:
1A) BAKED ENAMEL WITH BONDERIZED, GALVANIZED STEEL PANELS OF VARIOUS STANDARD COLORS.
1B) TYPE 302/304 STAINLESS STEEL WITH SATIN FINISH.
- SHOWER WALL'S MADE OF DOUBLE WALL CONSTRUCTION WITH TWO SHEET'S OF 20 GAUGE STEEL CEMENTED TO A HONEYCOMB CORE 1" (25) THICK WITH WATER IMPERVIOUS ADHESIVE.
- RECEPTOR'S TO BE PRECAST TERAZZO WITH BLACK AND WHITE CHIP'S GROUND SMOOTH REMOVABLE STRAINER TO BE CHROME PLATED BRASS, INTEGRAL CAST DRAIN FOR 2" (51) WASTE CONNECTION.
- ACCESSORIES WILL BE CURTAIN TRACK, SOAP DISH MADE OF CHROME PLATED BRASS, AND 10 GAUGE VINYL CURTAIN.
- HOLES FOR SHOWER HEAD AND MIXING VALVE CAN BE FURNISHED OR DONE IN FIELD. SHOWER HEAD AND MIXING VALVE SUPPLIED BY OTHERS.



METPAR CORP.

95 State Street, Westbury, LI, NY 11590

Tel: 516-333-2600 ~ Fax: 516-333-2618 ~ www.metpar.com ~ Service@Metpar.com

DIMENSIONS IN BRACKETS "< >" = MILLIMETERS