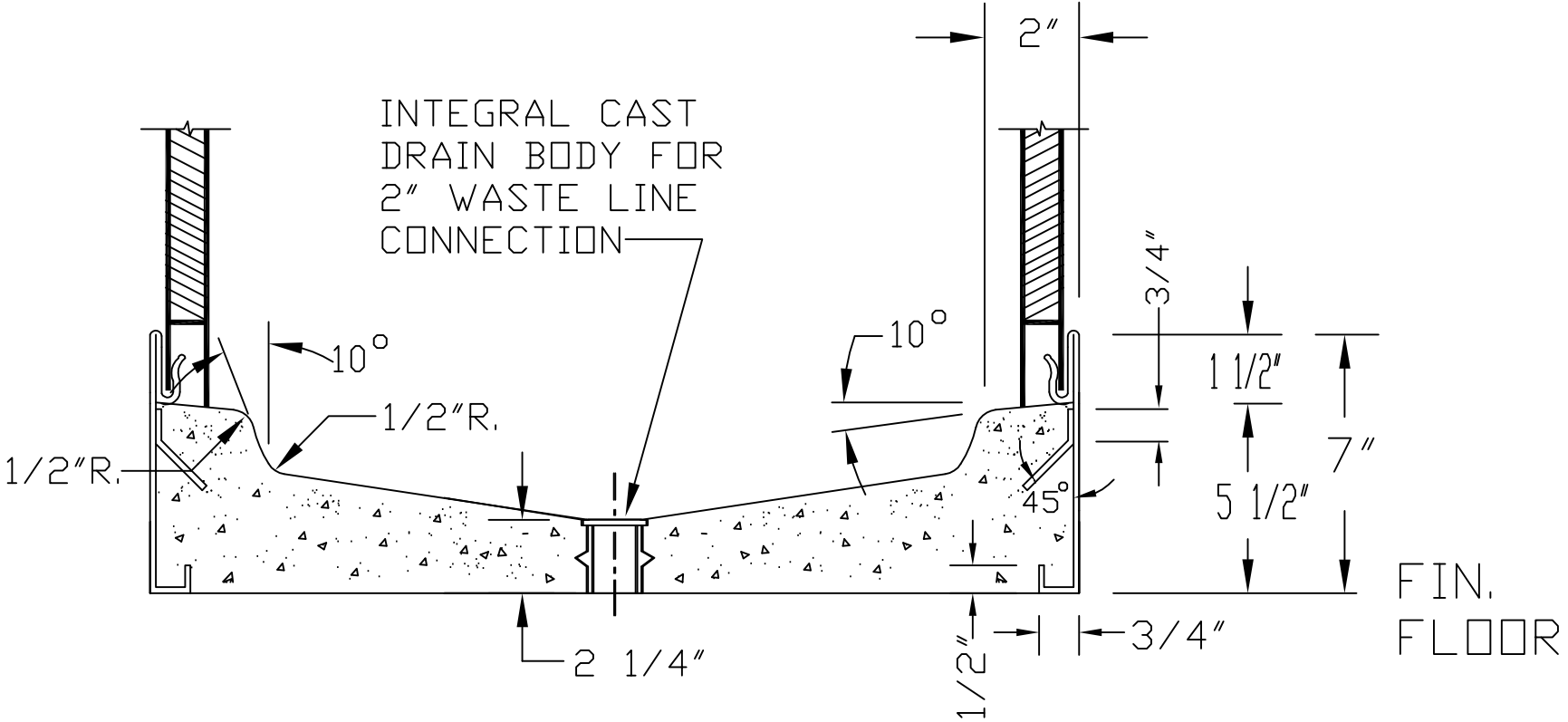
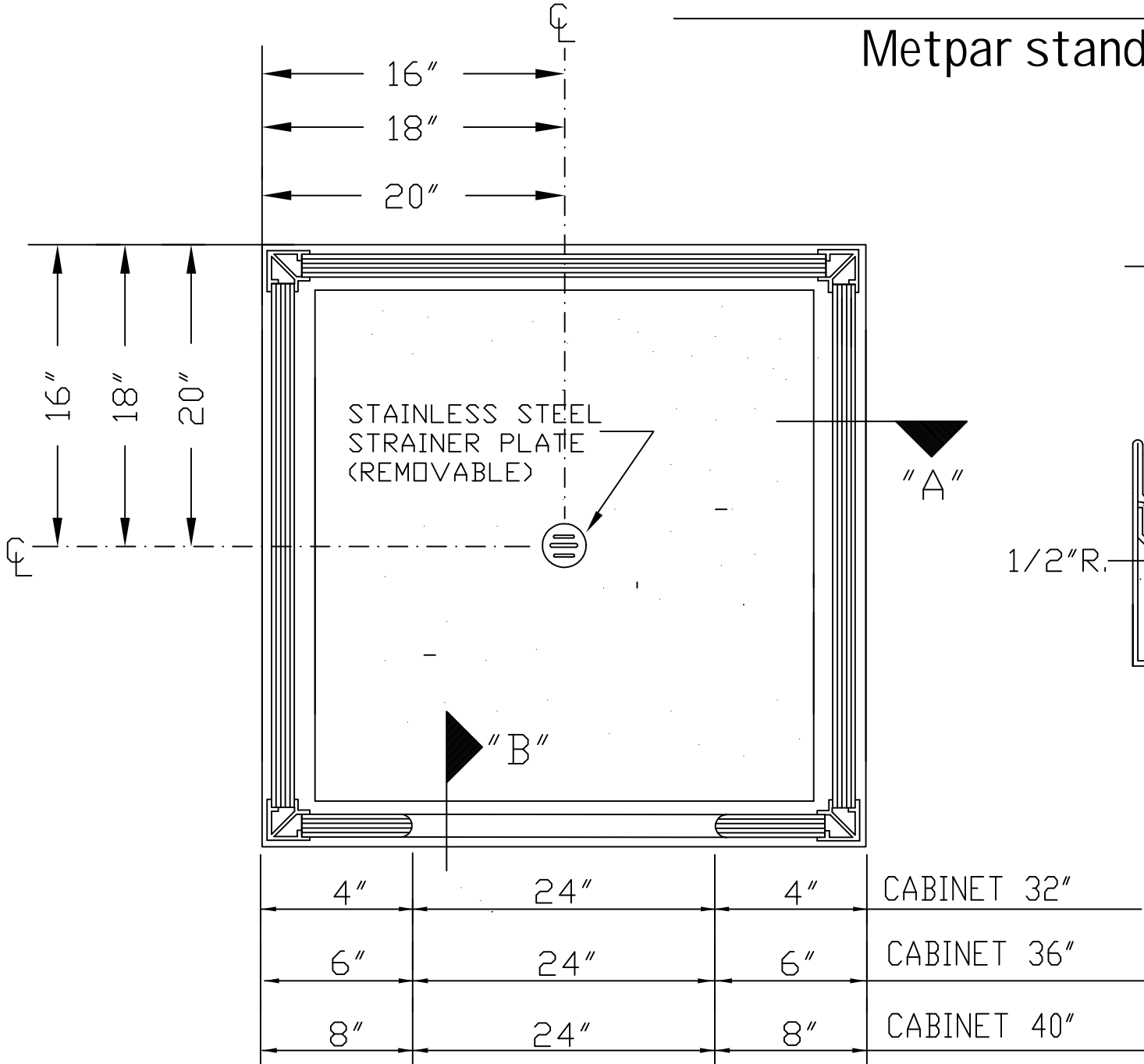
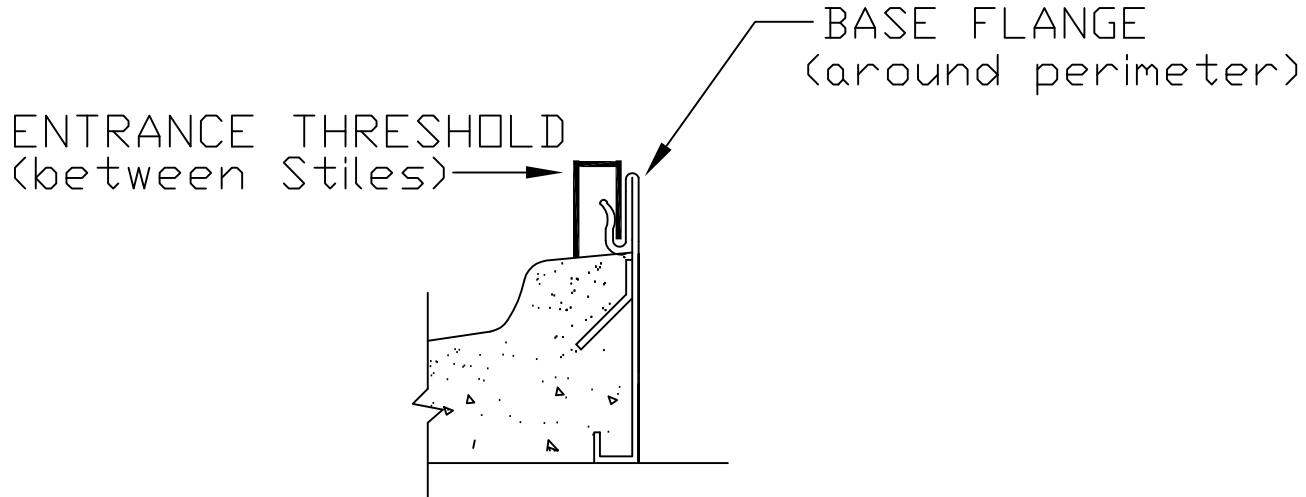


# METPAR SH700 Shower Base Details

Metpar standard non-handicap cabinets



DETAIL "A"



DETAIL "B"



**METPAR CORP.**  
 95 State Street, Westbury, LI, NY 11590

Tel: 516-333-2600 ~ Fax: 516-333-2618 ~ www.metpar.com ~ Service@Metpar.com