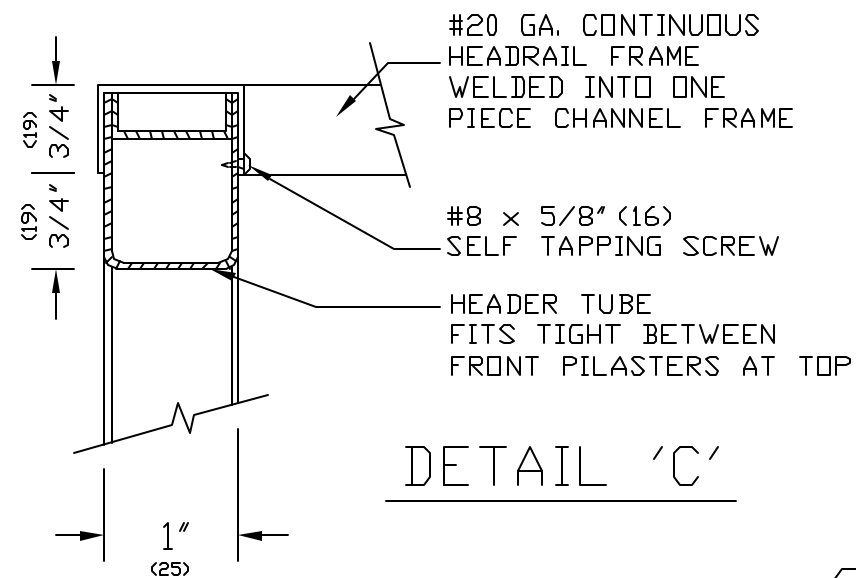
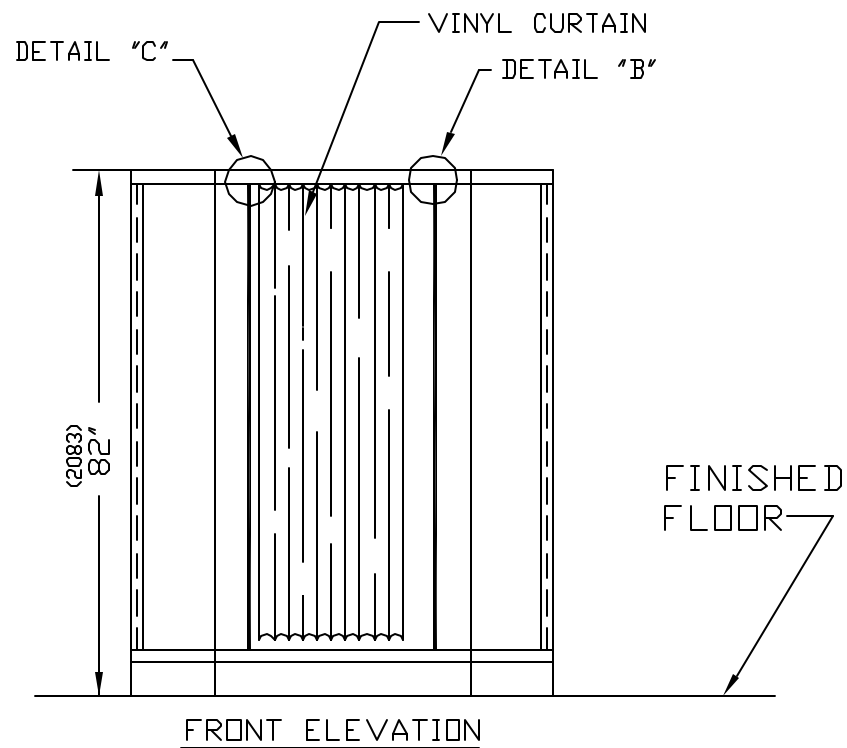
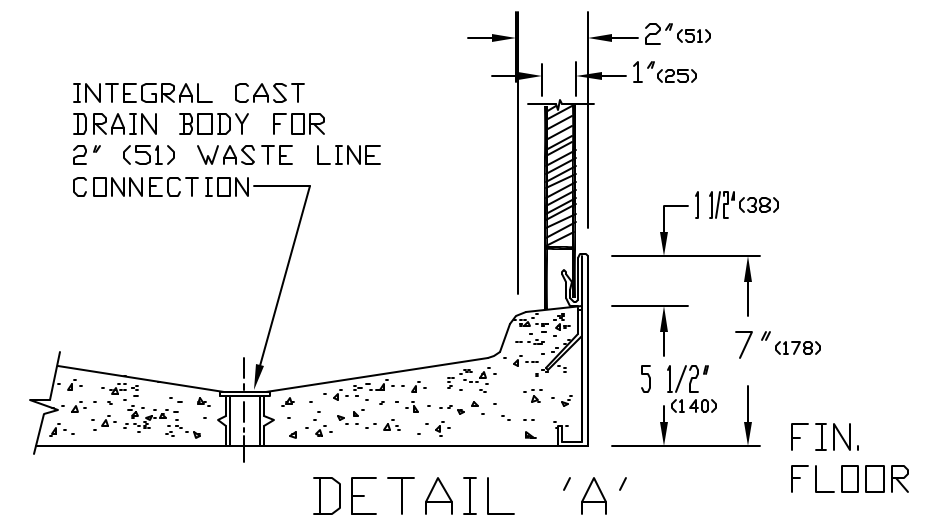
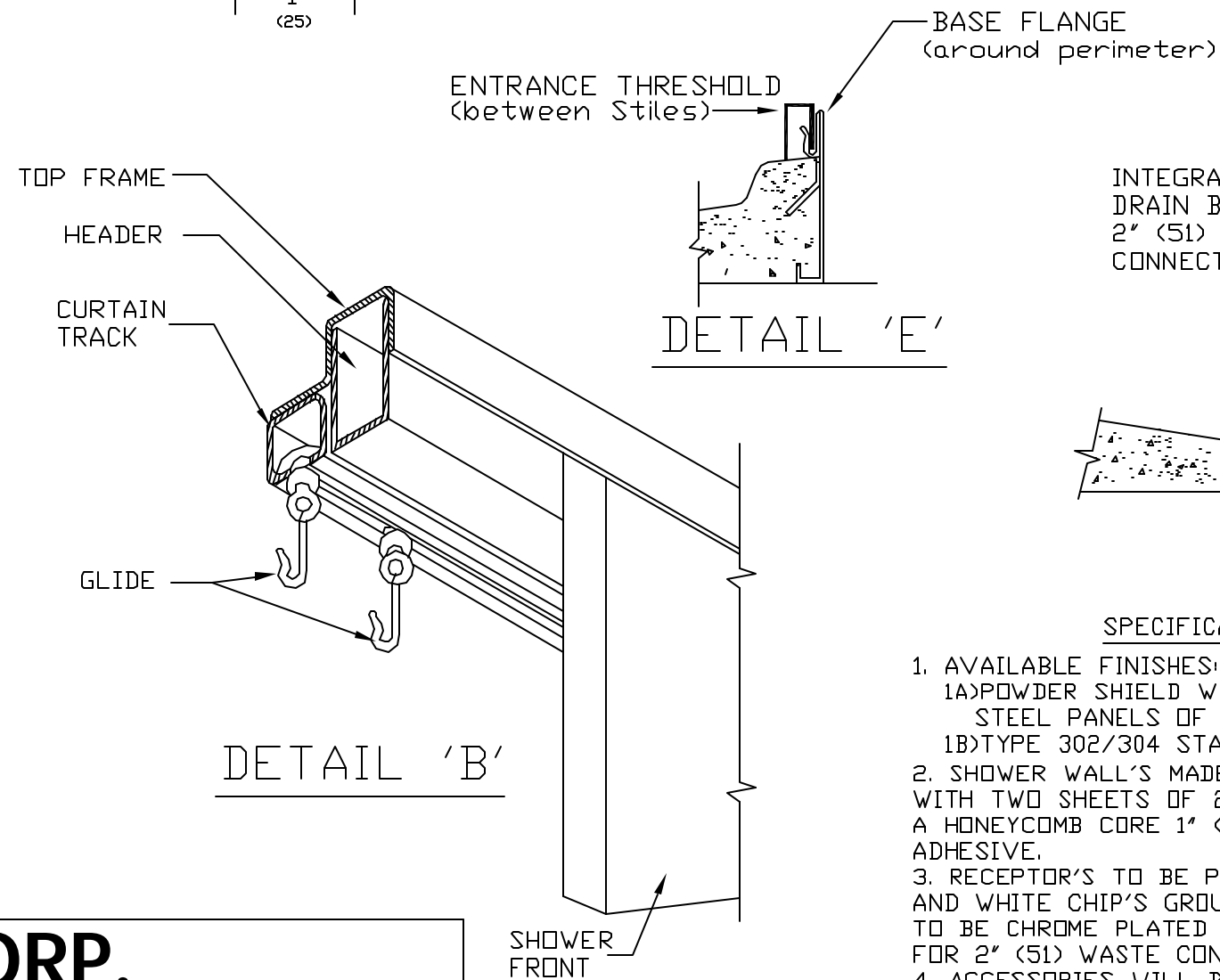
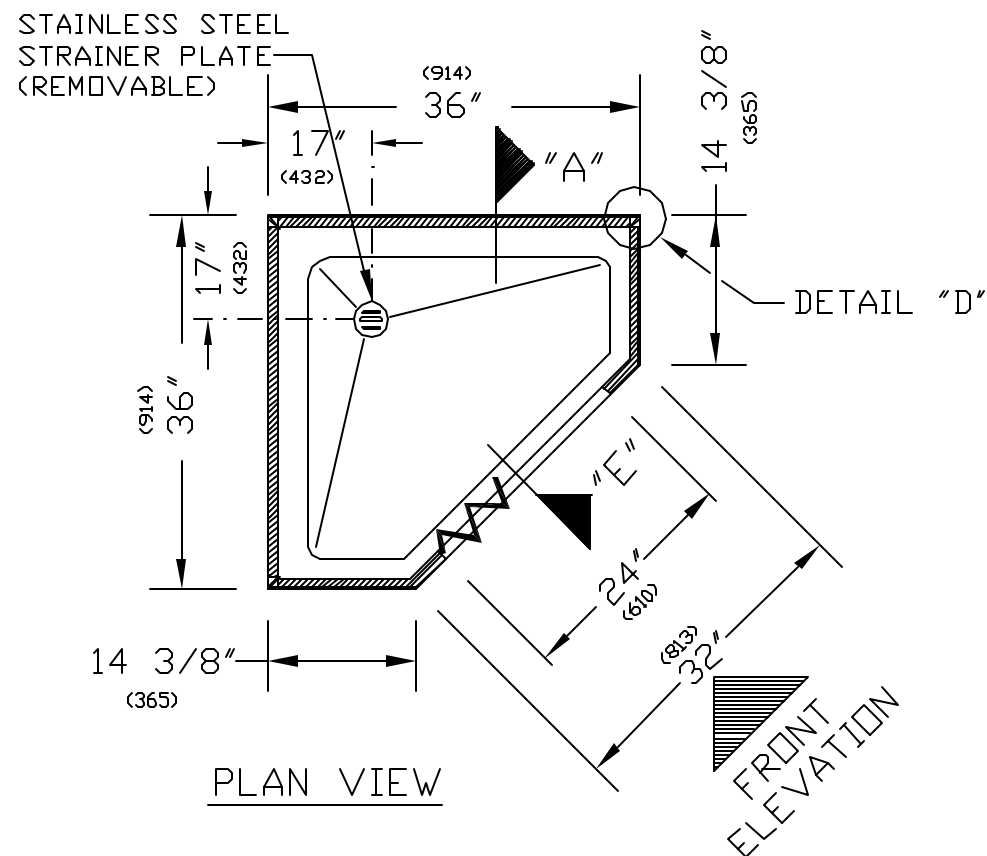
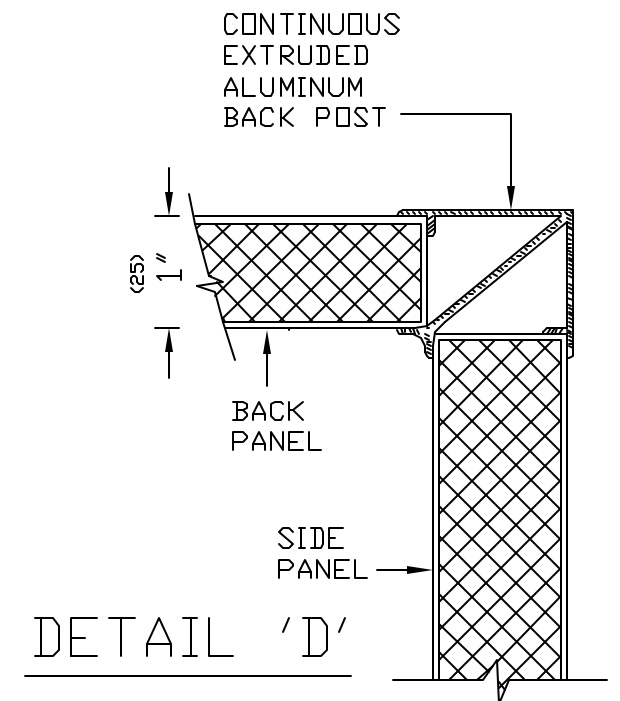


# SH700 SHOWERS - Powder Shield & Stainless Steel

(NEO Style 36" X 36")



DIMENSIONS IN BRACKETS "( )" = MILLIMETERS



## SPECIFICATION'S

- AVAILABLE FINISHES:
  - POWDER SHIELD WITH BONDERIZED, GALVANIZED STEEL PANELS OF VARIOUS STANDARD COLORS.
  - TYPE 302/304 STAINLESS STEEL WITH SATIN FINISH.
- SHOWER WALL'S MADE OF DOUBLE WALL CONSTRUCTION WITH TWO SHEETS OF 20 GAUGE STEEL CEMENTED TO A HONEYCOMB CORE 1" (25) THICK WITH WATER IMPERVIOUS ADHESIVE.
- RECEPTOR'S TO BE PRECAST TERAZZO WITH BLACK AND WHITE CHIP'S GROUND SMOOTH. REMOVABLE STRAINER TO BE CHROME PLATED BRASS, W/INTEGRAL CAST DRAIN FOR 2" (51) WASTE CONNECTION.
- ACCESSORIES WILL BE CURTAIN TRACK, SOAP DISH MADE OF CHROME PLATED BRASS, AND 10 GAUGE VINYL CURTAIN.
- HOLES FOR SHOWER HEAD AND MIXING VALVE CAN BE FURNISHED OR DONE IN FIELD. SHOWER HEAD AND MIXING VALVE SUPPLIED BY OTHERS.



**METPAR CORP.**

95 State Street, Westbury, LI, NY 11590

Tel: 516-333-2600 ~ Fax: 516-333-2618 ~ www.metpar.com ~ Service@Metpar.com