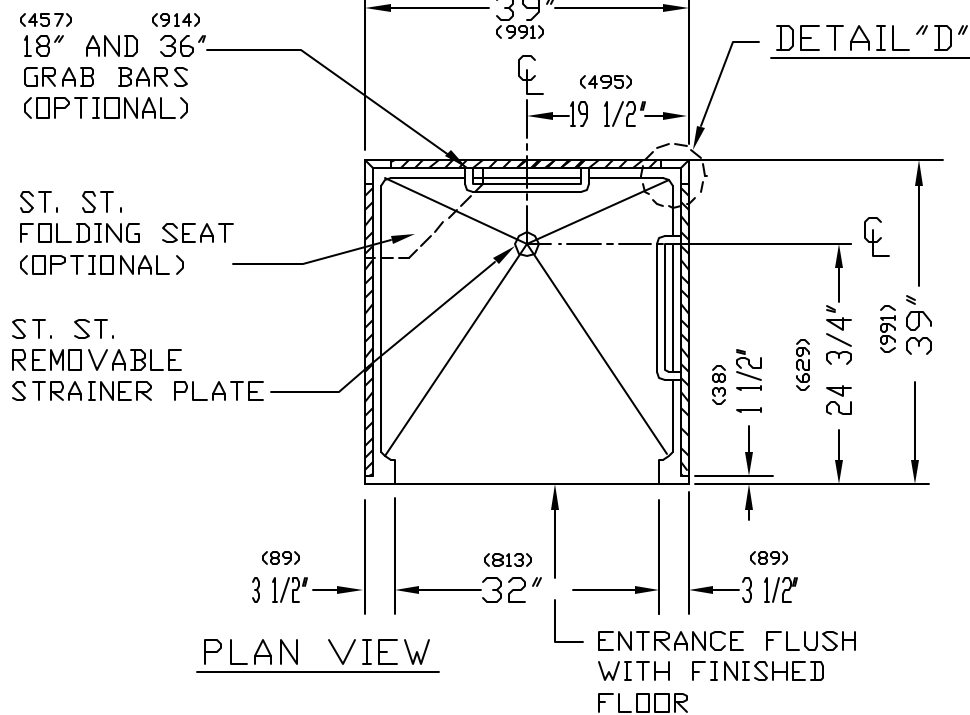
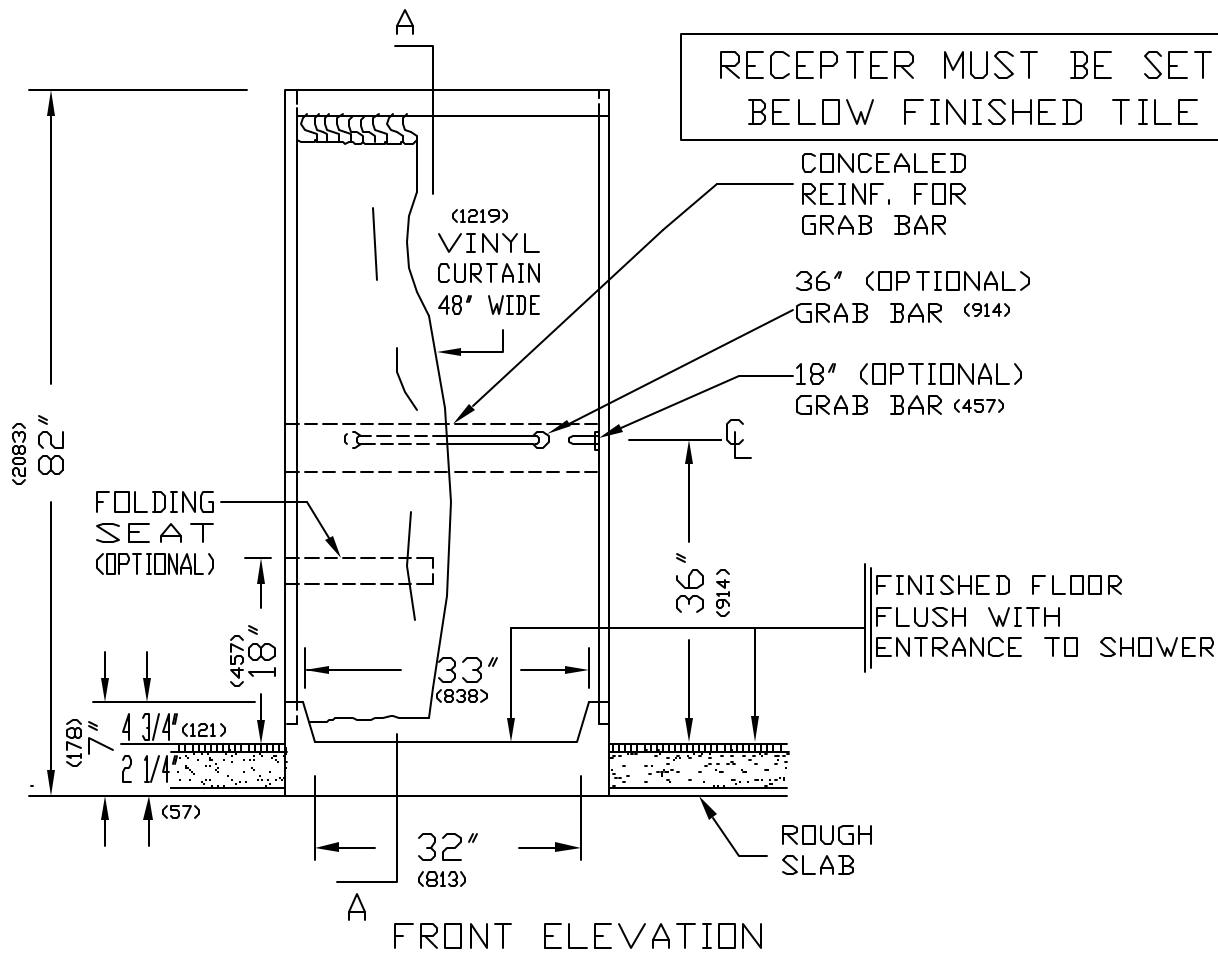
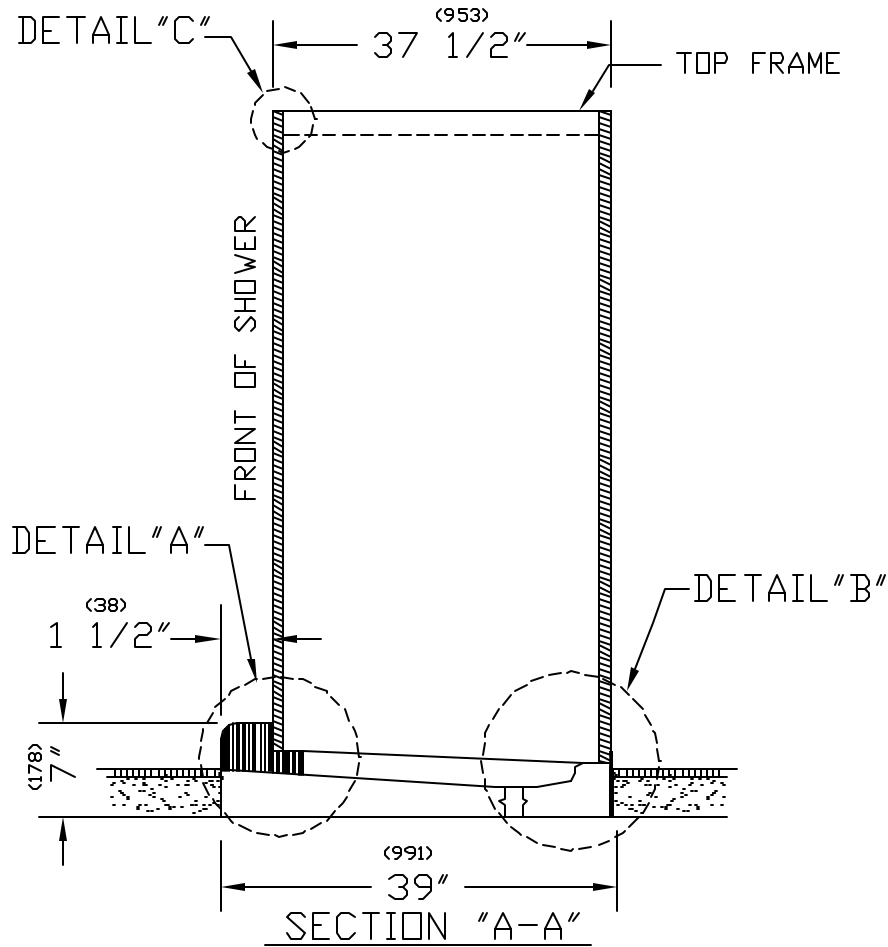
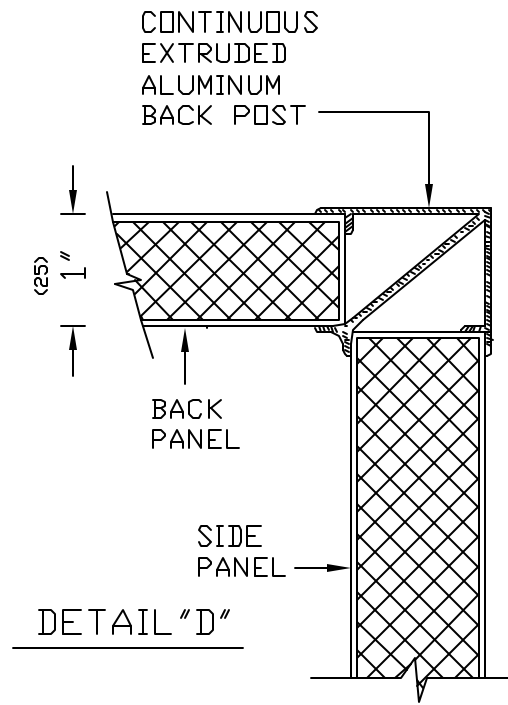
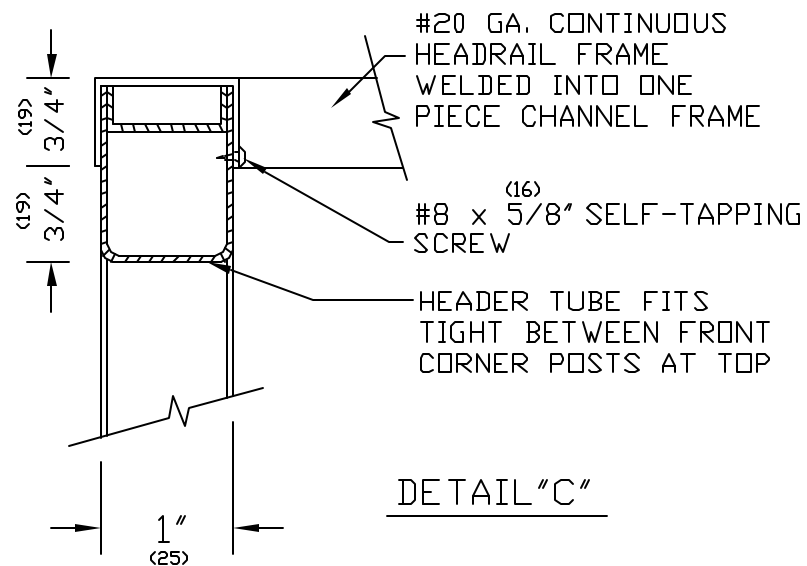


SH700 SHOWERS - Powder Shield & Stainless Steel

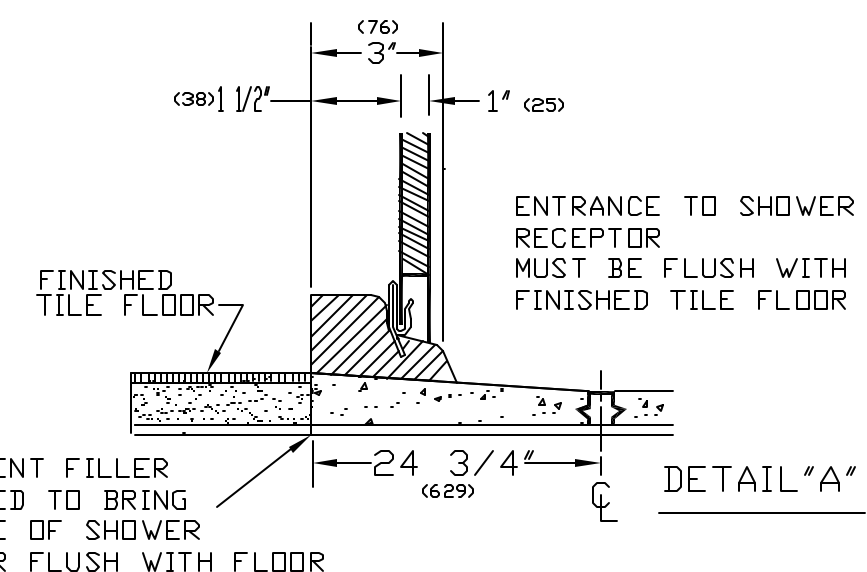
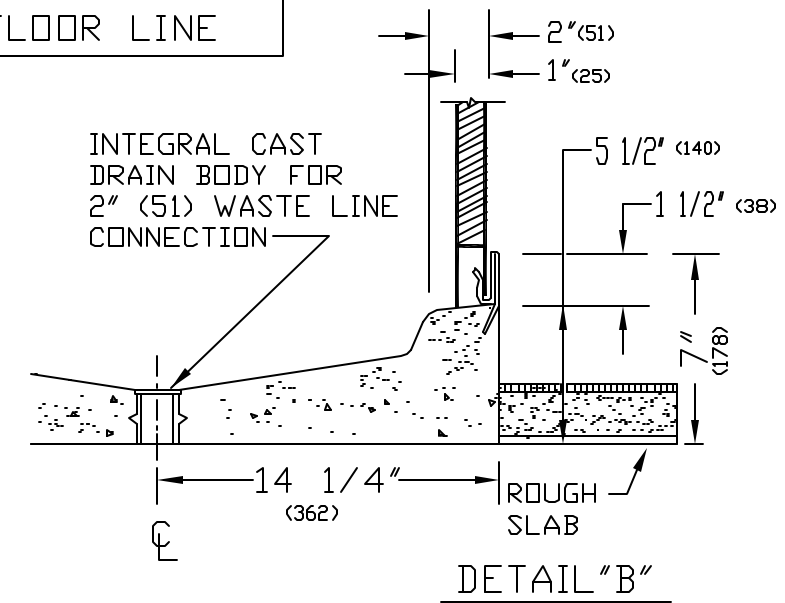
(Handicap 39" X 39")



DIMENSIONS IN BRACKETS "< >" = MILLIMETERS



RECEPTER MUST BE SET 2 1/4" (57) BELOW FINISHED TILE FLOOR LINE



ADD CEMENT FILLER AS NEEDED TO BRING ENTRANCE OF SHOWER RECEPTOR FLUSH WITH FLOOR



METPAR CORP.

95 State Street, Westbury, LI, NY 11590

Tel: 516-333-2600 ~ Fax: 516-333-2618 ~ www.metpar.com ~ Service@Metpar.com