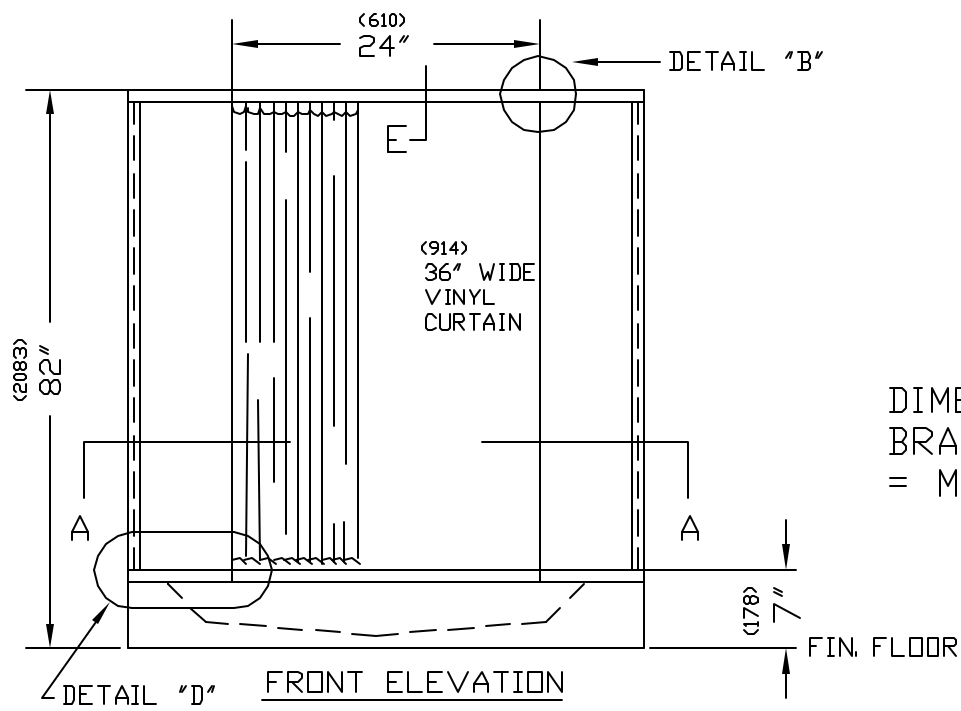
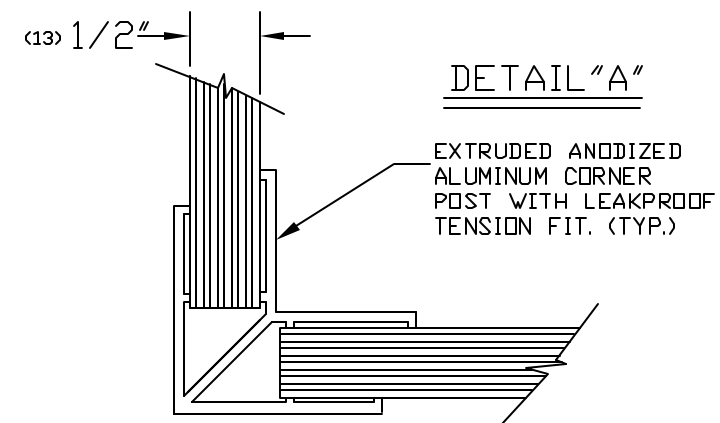
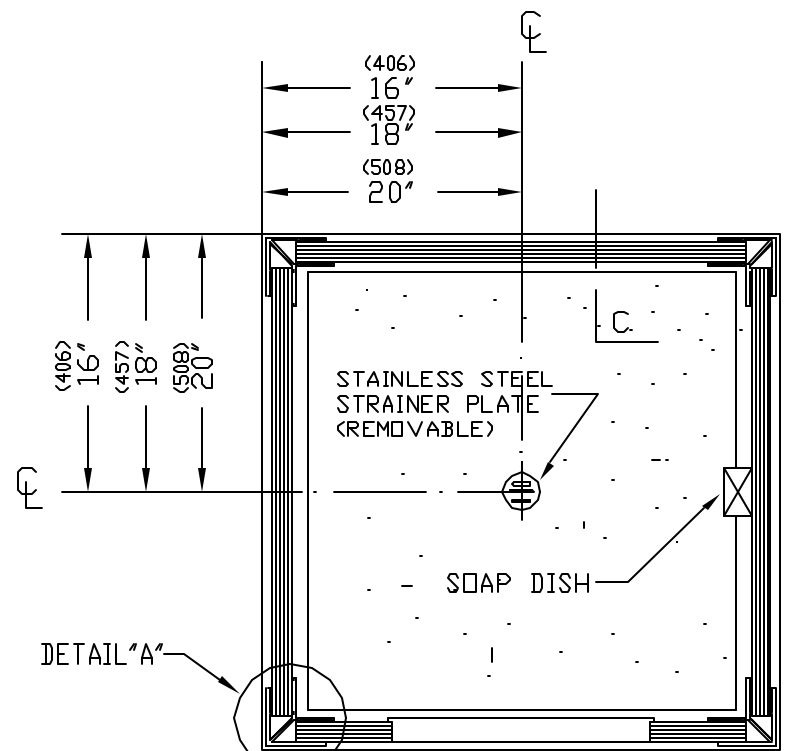
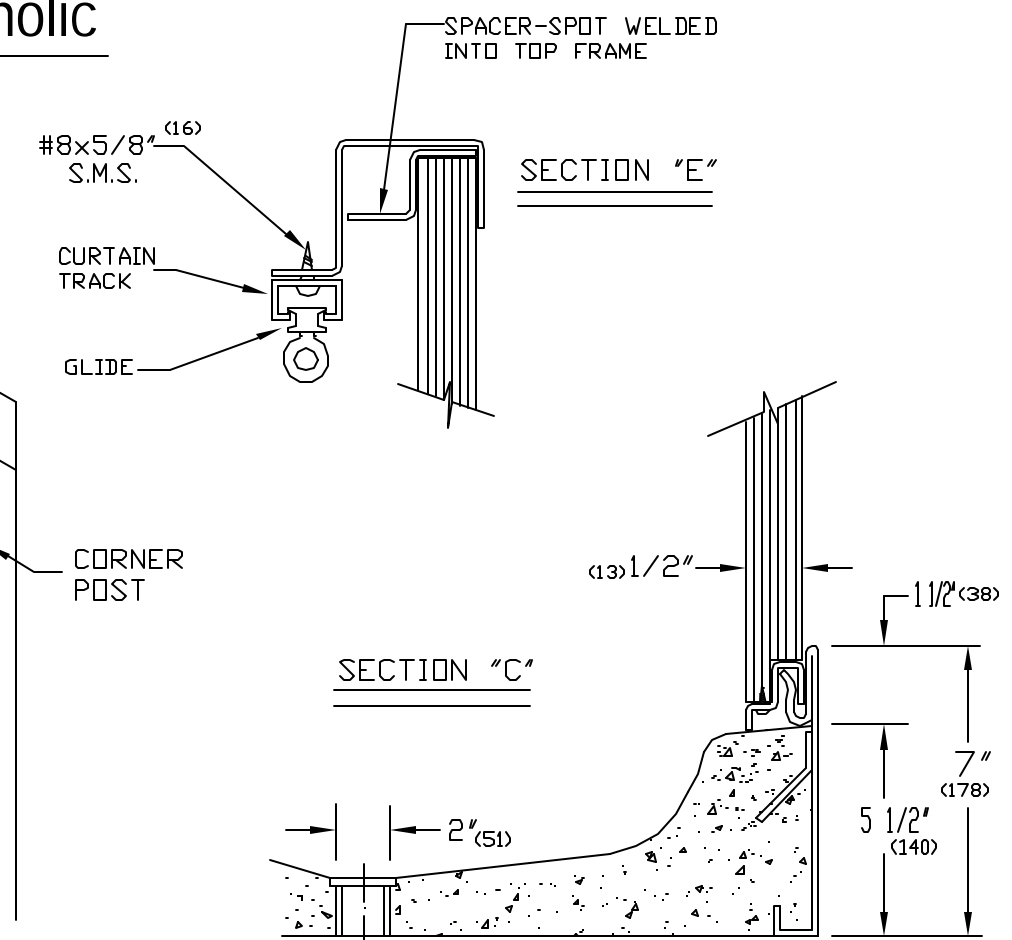
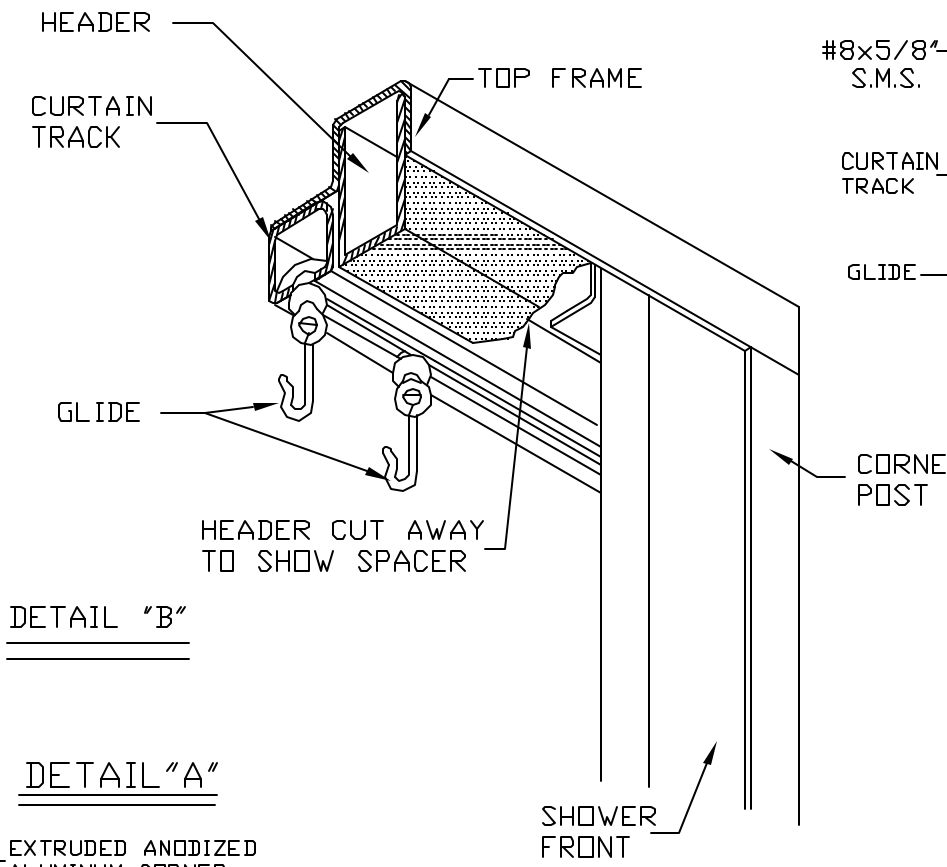


# SH700 SHOWERS - Solid Phenolic

(Non-Handicap sizes)



DIMENSIONS IN BRACKETS "< >" = MILLIMETERS

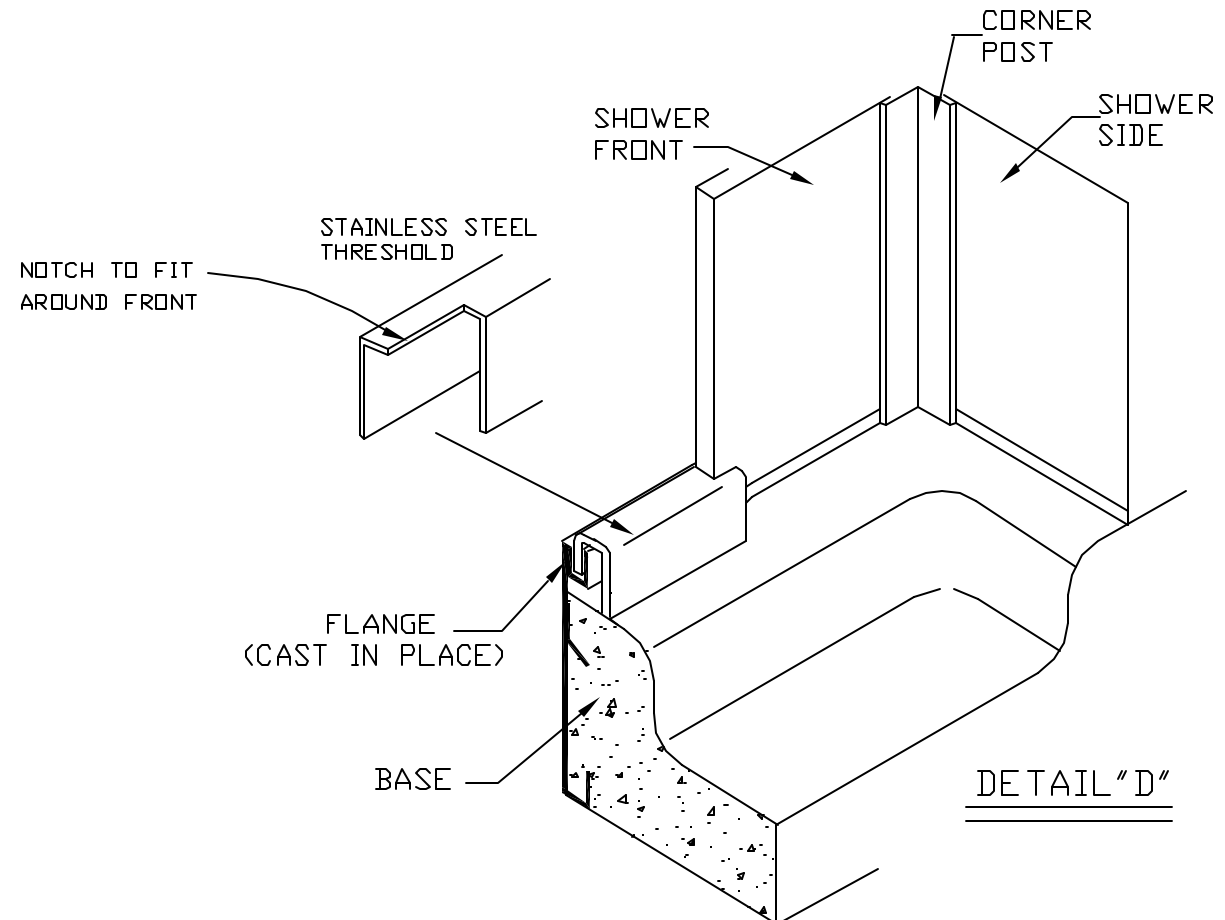


|          |           |          |                    |
|----------|-----------|----------|--------------------|
| (102) 4" | (610) 24" | (102) 4" | CABINET 32" (813)  |
| (152) 6" | (610) 24" | (152) 6" | CABINET 36" (914)  |
| (203) 8" | (610) 24" | (203) 8" | CABINET 40" (1016) |

SECTION "A-A"

### SPECIFICATION

1. SHOWER WALLS TO BE OF PHENOLIC CORE. ALL PANELS INTERLOCK INTO LEAKPROOF ASSEMBLIES.
2. RECEPTORS TO BE PRECAST TERRAZZO, WITH WHITE & BLACK MARBLE CHIPS, GROUND SMOOTH WITH NON-SLIP SURFACE. RECEPTORS TO HAVE INTEGRAL DRAIN AND REMOVABLE STAINLESS STEEL STRAINER, 2" (51) DRAIN CONNECTION BY PLUMBER.
3. ACCESSORIES TO INCLUDE CHROME-PLATED CAST SOAP DISH, CURTAIN AND GLIDES.
4. SHOWER HEAD AND MAIN VALVES BY OTHERS.



## METPAR CORP.

95 State Street, Westbury, LI, NY 11590

Tel: 516-333-2600 ~ Fax: 516-333-2618 ~ www.metpar.com ~ Service@Metpar.com