



METPAR Color-Thru SOLID PHENOLIC TOILET ENCLOSURES

The Luxor – Type FT700 - Floor Mounted

MATERIALS:

Composition: Decorative surface papers impregnated with melamine resins and pressed over kraft paper core sheets impregnated with phenolic resin. Sheets then bonded together under pressures greater than 1,000 lbs. per sq. in. and high temperatures approaching 300 deg F (149 deg C). Finished sheets trimmed and backs sanded to facilitate bonding to substrate. This specialty Color-Thru design provides no visible seams at the edges with durable, high performance characteristics, resistant to delamination, water, high humidity, corrosion. Fire resistant per ASTM-E84 Class A.

THICKNESS:

Doors..... Finished thickness to $\frac{3}{4}$ " (19.05mm) at 58" (1473) high
Panels..... Finished thickness to $\frac{1}{2}$ " (12.7mm) at 58" (1473) high
Pilasters..... Finished thickness to $\frac{3}{4}$ " (19.05mm) at 70" (1778) high

CONSTRUCTION:

Doors and Panels:

Doors and panels are manufactured from solid phenolic materials. Laminating to a core material is not an acceptable alternative. All edges are beveled and polished. Phenolic is Class-A fire rated based on E-84 Tunnel testing; NFPA No. 255 and U.L. No. 723.

Pilasters:

Pilasters are manufactured from solid phenolic materials. Laminating to a core material is not an acceptable alternative. All edges are beveled and polished. Phenolic is Class-A fire rated based on E-84 Tunnel testing; NFPA No. 255 and U.L. No. 723. Pilasters are to be secured to concrete floor by a $\frac{3}{8}$ " (9.525) steel anchor bar mechanism fastened to cylindrical anchors implanted through the complete thickness of the pilaster. Tension nuts will be used to apply equal and opposite pressure to all points of the mounting system. Zinc plated, $\frac{3}{8}$ " (9.525) diameter studs, lock washers, nuts and expansion shields will be provided.

BRACKETS:

Wall and pilaster brackets are 13 gauge stainless steel. All connections use 1-ear or 2-ear stirrup brackets with a minimum of two (2) per connection.

DOOR HARDWARE:

Each compartment will be complete with all stainless steel surface mounted hardware including; door hinges, latch, stop and keeper, coat hook, as well as all the necessary fittings and fastenings for a complete installation. Fasteners are stainless steel through bolts with tamper-proof Torx-Pin heads. Door hinges to be surface mounted and attached with thru-bolts to doors and pilasters. Hinge material to be 12 gauge 304 stainless steel with bearing angles of 16 gauge 304 stainless to be electrically welded to full length of both leaves of the top and bottom hinge assemblies to prevent door sag. Fully adjustable door positioning cam and pintle to be made from nylon with a stainless steel pin encased in nylon. Pin must be held in position with snap ring design. Remaining door hardware (e.g. latch, S&K, etc.) is cast stainless steel.

OPTIONAL FEATURES:

Maximum privacy with a rabbeted edge on the strike side of each door to mate with a coinciding rabbeted edge on each pilaster, coupled with a full height MultiCam hinge to eliminate any gaps. Aluminum curtain track, glides and curtains. Phenolic dressing seats. Full height stainless steel angles and U-brackets.

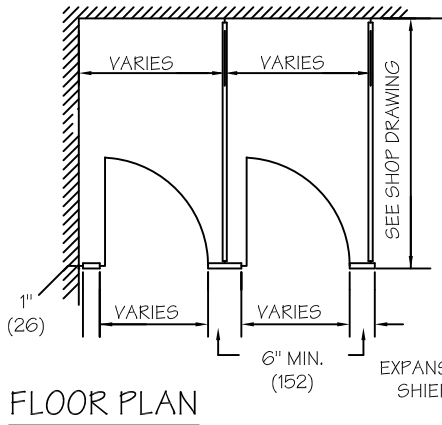


95 State Street, Westbury, New York USA 11590

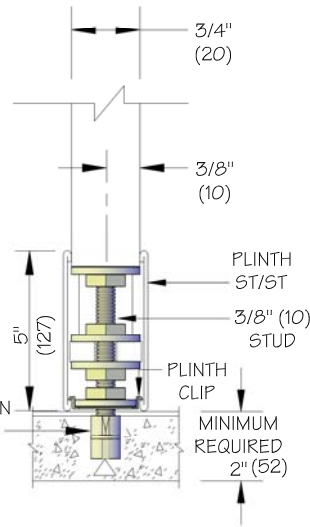
Tel: 516-333-2600 ~ Fax: 516-333-2618

www.Metpar.com ~ Sales@Metpar.com

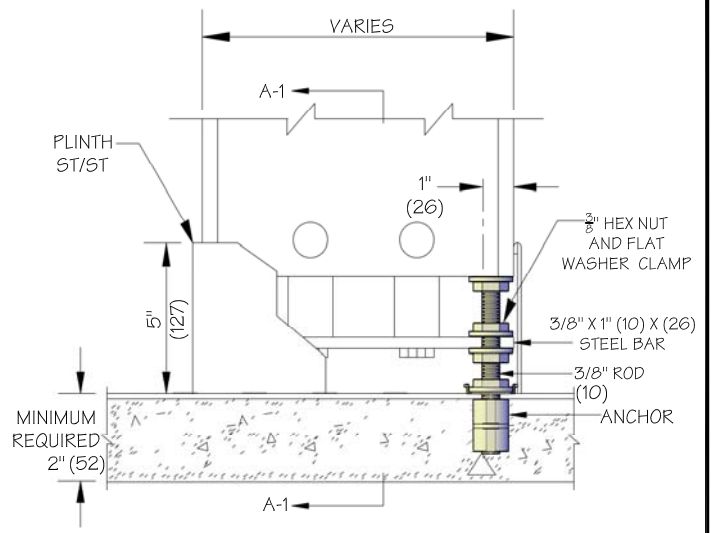
DIMENSIONS IN () = MILLIMETERS



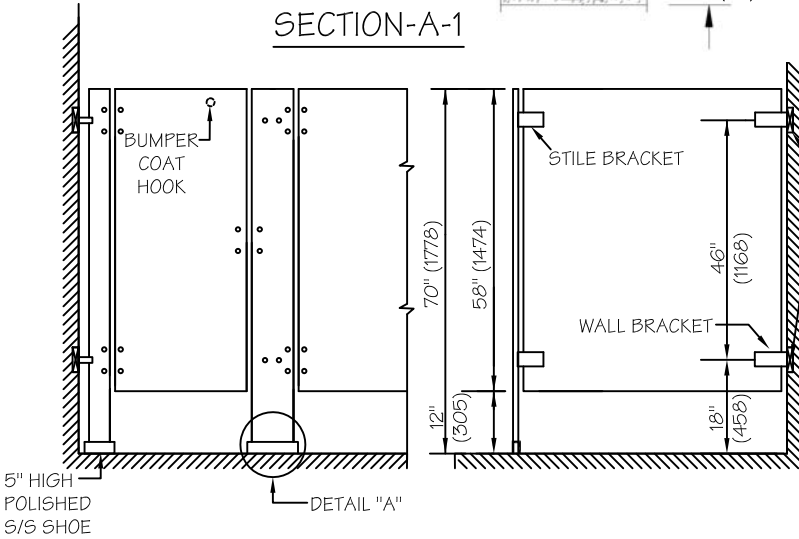
FLOOR PLAN



SECTION-A-1



DETAIL A

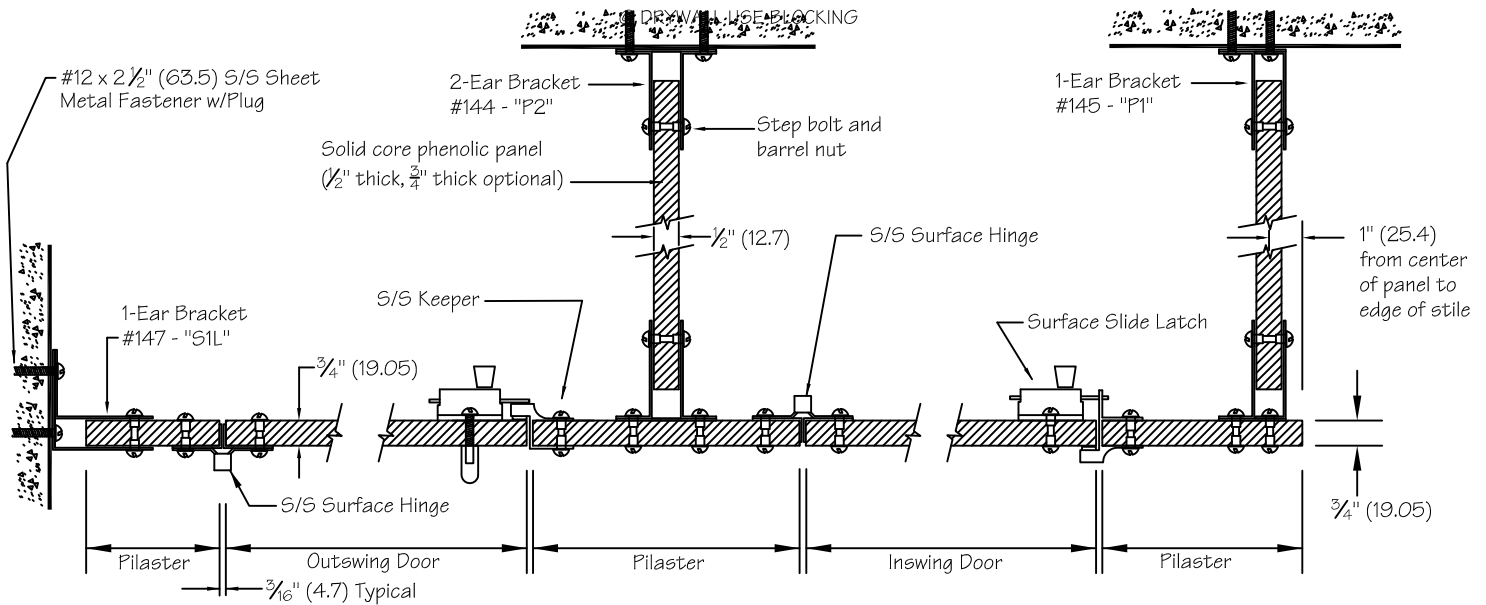


FRONT ELEVATION

SIDE ELEVATION

Blocking (by others) shown for standard CPZ stirrup brackets. For full height or any other bracket, consult with Metpar distributors for blocking information and locations.

NOTES: This drawing is a standard detail intended to show general construction and specification information. See shop drawings for actual job layout and specific job conditions which supercede any conflicting information on this sheet.



METPAR CORP

95 State Street, Westbury, NY 11590
 Tel: 516-333-2600 Fax: 516-333-2618
 www.Metpar.com ~ Sales@Metpar.com

SOLID PHENOLIC
 STANDARD DETAIL FLOOR MOUNTED
 FT700 - THE LUXOR

FT700PH.DWG

09/07/2017