



METPAR SOLID SURFACE TOILET ENCLOSURES

The Dorian Max – Type F/C-FP/FP - Floor-To-Ceiling

Maximum Privacy Style

MATERIALS: Solid surface with homogeneous acrylic-modified polyester that utilizes natural fillers, colorants and granulates. Tested to meet or exceed all standards in the ANSI SS-1 Performance Standard for solid surface materials.

THICKNESS: Doors..... Finished thickness to 3/4" (19mm) at 72" (1829) high, 6" (152mm) AFF
Panels..... Finished thickness to 1/2" (13mm) at 72" (1829) high, 6" (152mm) AFF
Pilasters..... Finished thickness to 3/4" (19mm) at 96" (2438) high

CONSTRUCTION:

Doors and Panels:

Doors and panels are manufactured from Solid Surface materials. Laminating to a core material is not an acceptable alternative. All edges are beveled and polished. Solid Surface is Class-A fire rated based on E-84 Tunnel testing.

Pilasters:

Pilasters are manufactured from solid surface materials. Laminating to a core material is not an acceptable alternative. All edges are beveled and polished. Solid Surface is Class-A fire rated based on E-84 Tunnel testing. Pilasters are to be secured to the floor and ceiling with stainless steel mounting angles and sheet metal fasteners. All pilasters will have a 5" (127) high #4 finish stainless steel plinth with straight, flat sides to match pilaster profile.

BRACKETS:

Wall and pilaster brackets are 13 gauge stainless steel using full length 71" U-Channels for panel-to-pilaster connections and full length 1"x2 1/4" x 71" angles elsewhere.

DOOR HARDWARE:

Each compartment will be complete with all stainless steel surface mounted hardware including; 71" MultiCam® hinge, latch, coat hook, as well as all the necessary fittings and fastenings for a complete installation. The door stop shall consist of a surface mounted stainless steel strike & keeper coupled with the full height rabbet edge on the strike side of the door and matching side of the pilaster for maximum privacy. Fasteners are stainless steel through bolts with tamper-proof Torx Pin heads. MultiCam® hinges are 16 gauge stainless steel. Remaining door hardware, such as the surface latch, S&K are cast stainless steel.

OPTIONAL FEATURES:

Aluminum curtain track, glides and curtains. Solid Surface dressing seats. Other special heights or special elevations AFF. Panels in 3/4" (19mm) thickness. Doors and pilasters in 1" (26mm) thickness.

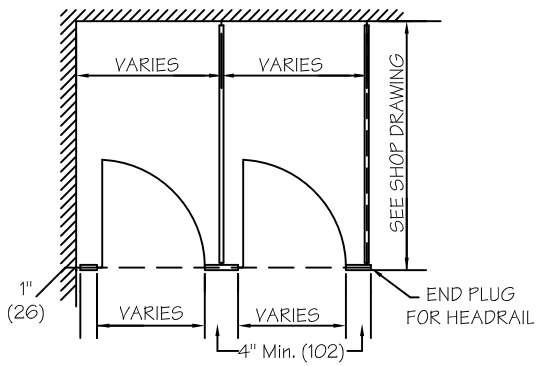


95 State Street, Westbury, New York USA 11590

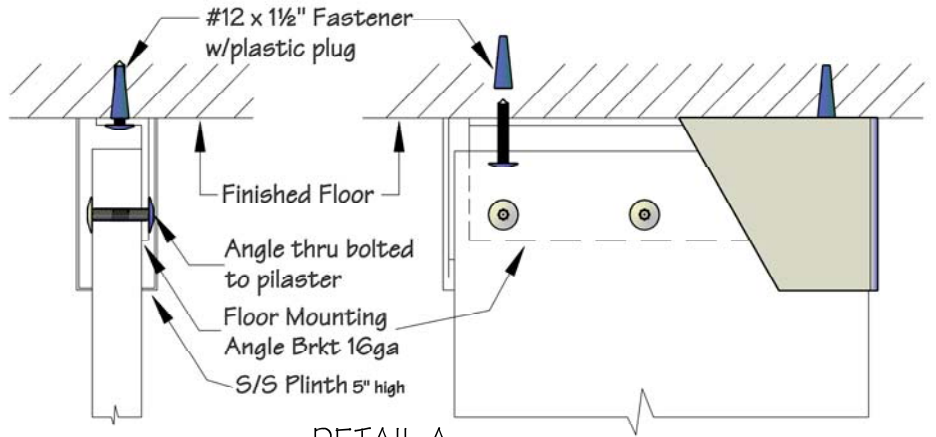
Tel: 516-333-2600 ~ Fax: 516-333-2618

www.Metpar.com ~ Sales@Metpar.com

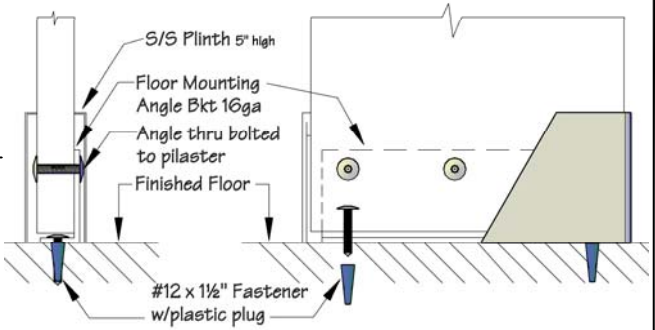
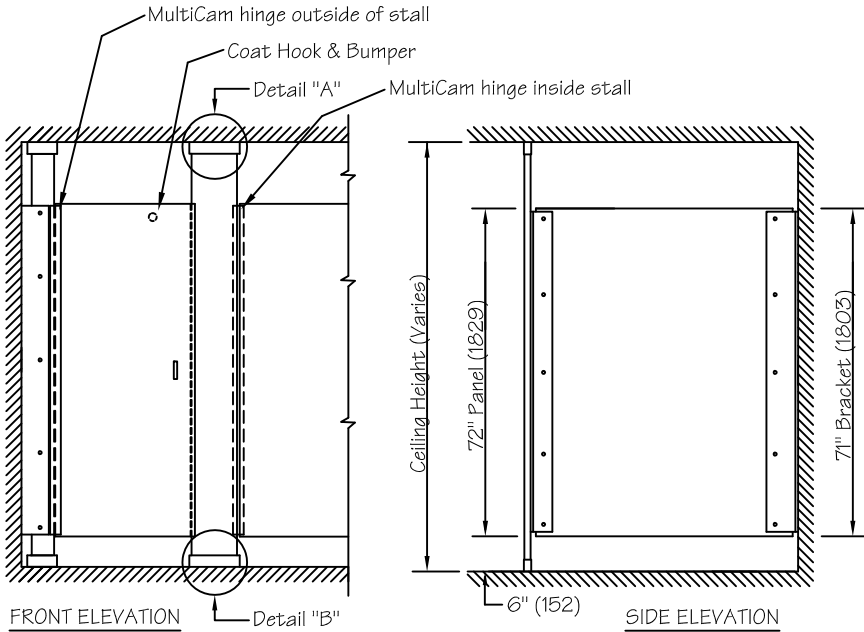
DIMENSIONS IN () = MILLIMETERS



FLOOR PLAN
(DOTTED LINES INDICATE HEADRAIL)

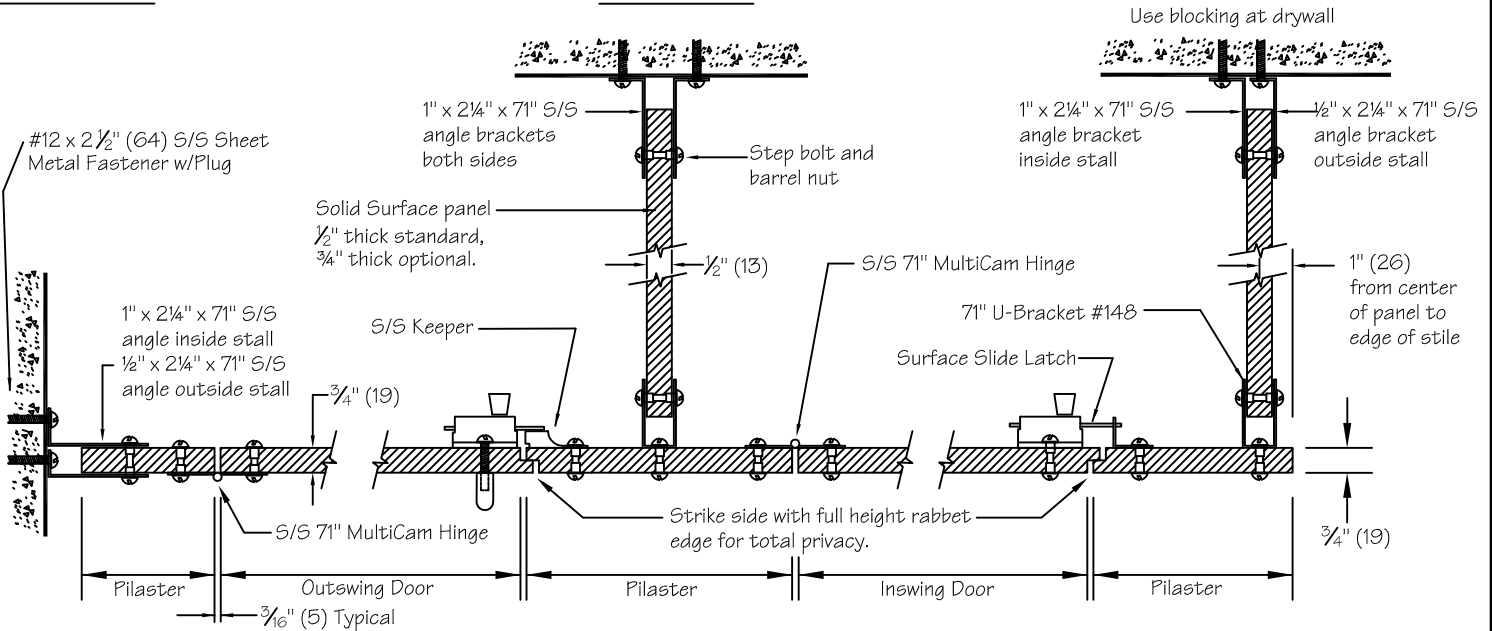


DETAIL A



DETAIL B

NOTES: This drawing is a standard detail intended to show general information. See shop drawings for actual job layout and specific job conditions that supercede any conflicting information on this sheet. Blocking (by others) or adequate support within wall required to support full length brackets.



METPAR CORP

95 State Street, Westbury, NY 11590
Tel: 516-333-2600 Fax: 516-333-2618
www.Metpar.com ~ Sales@Metpar.com

SOLID SURFACE

Special Detail Floor-To-Ceiling FP/FP
Dorian Max Style W/Full Privacy

FCFPFP_SolSurf_M.dwg

07/22/2020