



METPAR **Dur-A-Tex™**

TEXTURED POWDER SHIELD TOILET ENCLOSURES

The Dorian – Type CH700D - Ceiling Hung

Privacy Style

MATERIALS: Bonderized, Galvanized Textured Steel with 5SM Diamond Pattern

THICKNESS: Doors..... 22 Gauge, Finished to 1" (25.4mm) at 64" (1625.6) high
Panels..... 22 Gauge, Finished to 1" (25.4mm) at 64" (1625.6) high
Pilasters..... 20 Gauge, Finished to 1¼" (31.75mm) at 6" (152.4) AFF

CONSTRUCTION:

Doors:

Finished to 1" (25.4) thick, constructed of two sheets of 22-gauge, bonderized, galvanized textured steel cemented under pressure to a honeycomb core. Door face sheets are welded at intervals around the entire perimeter. All edges to be finished with a 20-gauge interlocking molding. Corners are finished with pre-formed painted stainless steel (type 304) reinforcements. Corners are to be welded internally to ensure that the galvanized rust resistant coating is not removed. Doors shall have internal steel reinforcements to secure hardware items.

Panels:

Finished to 1" (25.4) thick, constructed of 2 sheets of 22-gauge bonderized, galvanized textured steel cemented under pressure to a honeycomb core. All partition edges are finished with a 20-gauge interlocking molding. Corners are finished with pre-formed painted stainless steel (type 304) reinforcements. Panels larger than 59" deep will require the pattern to run in a horizontal direction.

Pilasters:

Finished to 1¼" (31.75) thick, constructed of two sheets of 20-gauge, bonderized, galvanized textured steel assembled with a honeycomb core. Face sheets are electrically welded at intervals around the entire perimeter. All pilasters will have a 4" (102) high #4 finish stainless steel plinth (type 304) and have straight, flat sides with rounded edges to match the pilaster profile. Mounting channels are 12-gauge steel electrically welded to the pilaster face sheets. Zinc plated 3/8" (9.525) diameter studs, lock washers and nuts are provided.

BRACKETS:

Attachment brackets are full height clear anodized aluminum U-Channels for panel-to-pilaster conditions and 1" x 2¼" angles elsewhere.

DOOR HARDWARE:

Each compartment will be complete with two door hinges, latch, stop and keeper, coat hook, as well as all necessary fittings and fastenings for a complete installation. Hinges are fastened by means of tamper-proof Torx Pin Head through bolts, which are polished chrome plated. All other screws to be tamper-proof Torx Pin Head chrome plated. Doors are to be hung on a concealed, "stay-set", fully adjustable, non-rising door mechanism. Upper hinge pin shall be 3/8" (10) diameter steel. All hinges will have wrap-around flanges with a minimum of 5/8" (16) wrap onto pilaster. All doors will have a concealed ADA approved slide latch with external "in-use" indicator. A continuous anodized aluminum extrusion is provided for both strike & hinge sides to eliminate gaps between door & pilaster.

FINISH:

All rust inhibitive coated material shall be chemically cleaned and painted with a 2-coat paint process using multiple coats of Epoxy Hybrid Powder applied electrostatically along with a graffiti-resistant clear coat high gloss polyester coating.

OPTIONS:

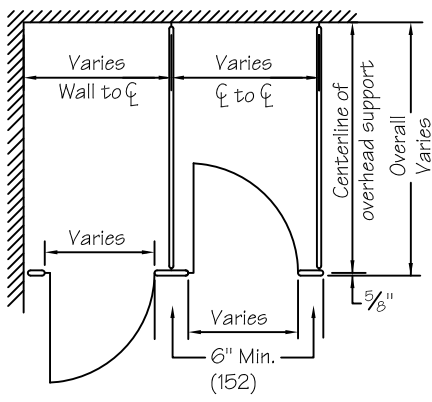
Full height stainless steel angles & U-Channels. Full height stainless steel MutliCam® hinges. Cast S/S wraparound hinges with matching surface latch, S&K. Other special heights or special elevations AFF.



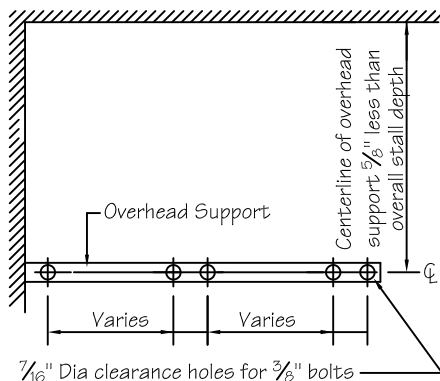
95 State Street, Westbury, New York USA 11590

Tel: 516-333-2600 ~ Fax: 516-333-2618

www.Metpar.com ~ Sales@Metpar.com

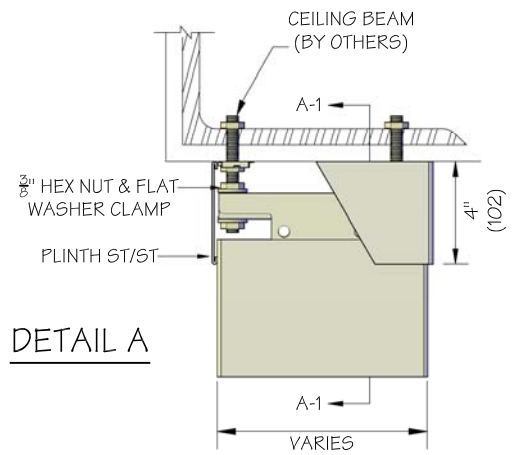


FLOOR PLAN

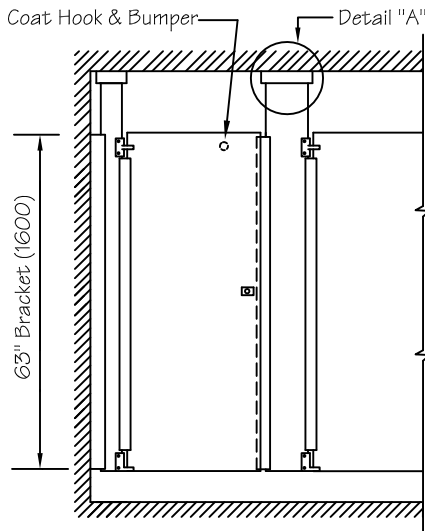


7/16" Dia clearance holes for 3/8" bolts
center is always 1" inward from either end of all pilasters.

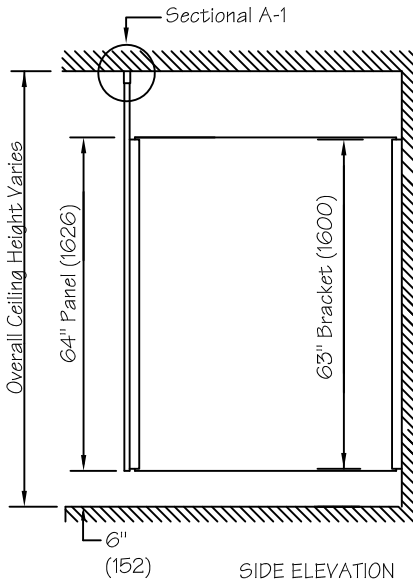
BOLT LAYOUT FOR OVERHEAD SUPPORT



DETAIL A

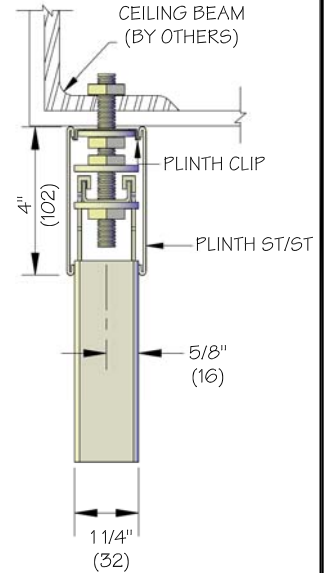


FRONT ELEVATION



SIDE ELEVATION

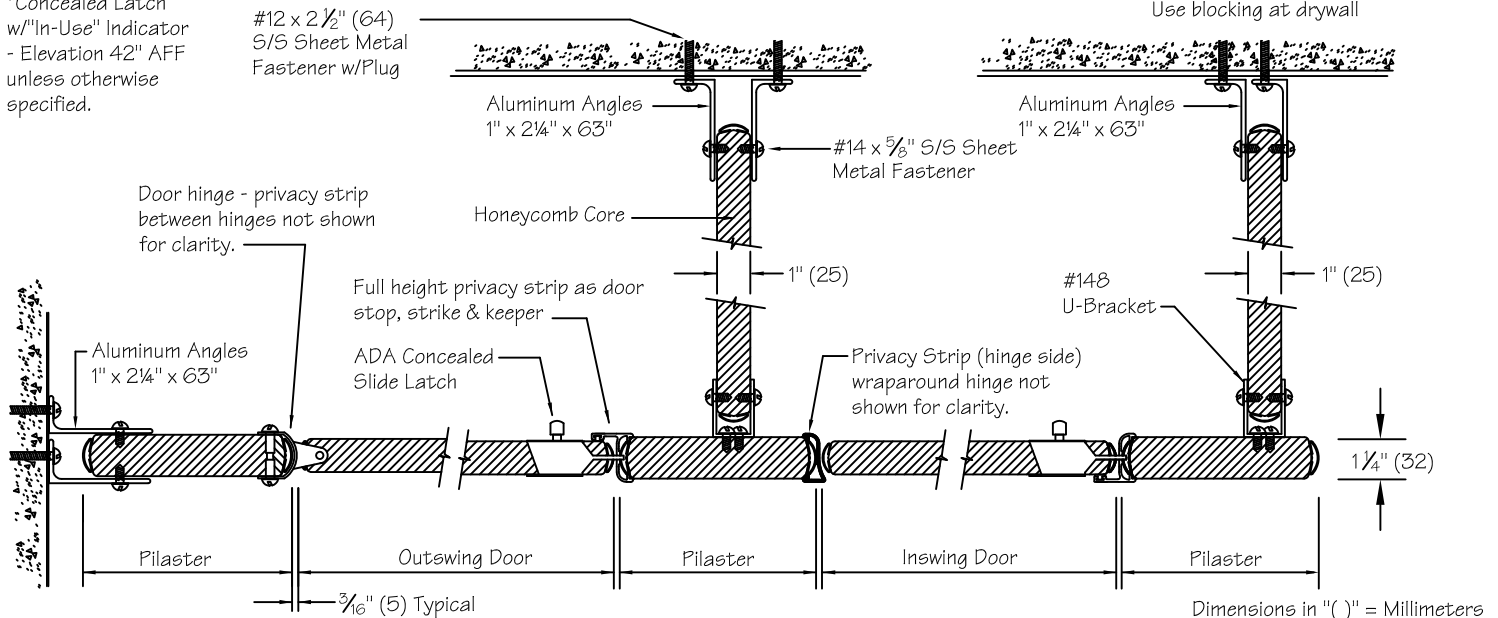
NOTE: This drawing is a standard detail intended to show general construction and specification. See shop drawing(s) for actual job layouts and specific job conditions that supersede any conflicting information on this detail sheet. Blocking (by others) or adequate support within wall required to support full length brackets.



SECTION A-1

*Concealed Latch w/"In-Use" Indicator - Elevation 42" AFF unless otherwise specified.

#12 x 2 1/2" (64) S/S Sheet Metal Fastener w/Plug



Dimensions in (") = Millimeters



METPAR CORP

95 State Street, Westbury, NY 11590

Tel: 516-333-2600 Fax: 516-333-2618

www.Metpar.com ~ Sales@Metpar.com

POWDER SHIELD

Special Detail - CH700D

Dorian Style with Privacy Strips

CH700BED.dwg

05-04-20