



METPAR PLASTIC LAMINATE TOILET ENCLOSURES

The Dorian Max – Type FT700M - Floor Mounted

Maximum Privacy Style

- MATERIALS:** Plastic Laminate over particle board.
- THICKNESS:** Doors..... Finished to 1" (25.4mm) at 72" (1828.8) high
 Panels..... Finished to 1" (25.4mm) at 72" (1828.8) high
 Pilasters..... Finished to 1¼" (31.75mm) at 78" (1981.2) high

CONSTRUCTION:

Doors:
 Finished to 1" (25.4) thick, constructed of .04" (1.02) post forming grade 12 decorative laminate over three-ply core, resin impregnated, 45-pound density particle board; *NEMA* approved and used exclusively. Edge laminates are applied before face laminates.

Panels:
 Finished to 1" (25.4) thick, constructed of .04" (1.02) post forming grade 12 decorative laminate over three-ply core, resin impregnated, 45-pound density particle board; *NEMA* approved and used exclusively. Edge laminates are applied before face laminates.

Pilasters:
 Finished to 1¼" (31.75) thick, constructed of .04" (1.02) post forming grade 12 decorative laminate over three-ply core, resin impregnated, 45 pound density particle board; *NEMA* approved and used exclusively. Edge laminates are applied before face laminates. All pilasters will have a 3" (76.2) high #4 finish stainless steel plinth and have a straight profile with square edges to match the pilaster profile. Pilasters are to be secured to the floor by a 3/8" (9.525) steel anchor bar mechanism fastened to cylindrical anchors implanted through the complete thickness of the pilaster. Tension nuts are used to apply equal and opposite pressure to all points of mounting system. Zinc plated 3/8" (9.525) diameter studs, lockwashers, nuts and lead expansion shields are provided.

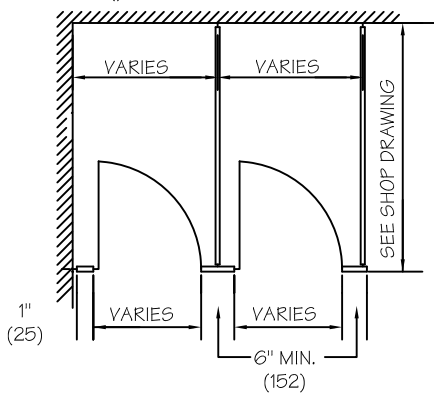
BRACKETS:
 All connections at pilaster-to-wall and panel-to-wall shall be secured with full height aluminum angles. Panel-to-pilaster connections secured with full height U-Channels. All screws shall be non-ferrous with a tamper-proof pin head.

DOOR HARDWARE:
 Each compartment will be complete with all hardware, 2 door hinges, latch, stop and keeper, coat hook, as well as all necessary fittings and fastenings for a complete installation. Hinges and door strikes are fastened by means of tamper-proof Torx Pin Head through bolts, which are polished chrome plated. All other screws to be tamper-proof Torx Pin Head chrome plated. Doors are to be hung on concealed gravity hinges. Upper hinge shall use a 3/8" (9.525) diameter steel pin. All hinges will have wrap-around flanges with a minimum of 5/8" (15.875) wrap onto all pilasters. Full length flat aluminum privacy strips to conceal gaps between doors and pilasters.

OPTIONAL:
 Stainless steel surface mounted hinges or full length stainless steel MultiCam® hinges, both with stainless steel surface latch, S&K.

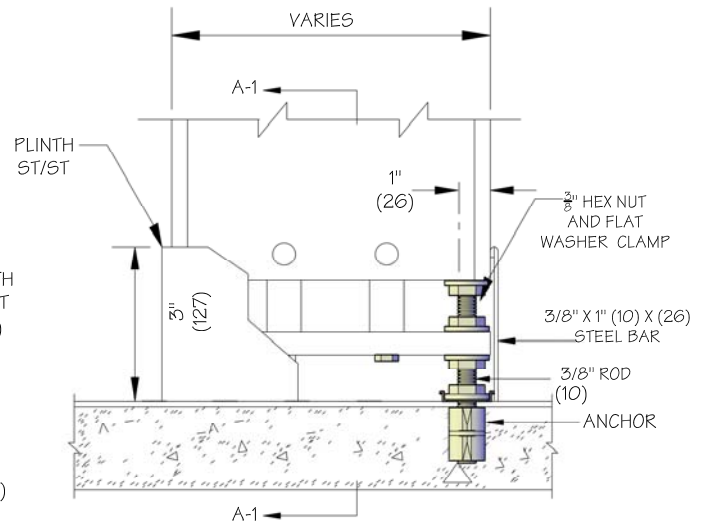
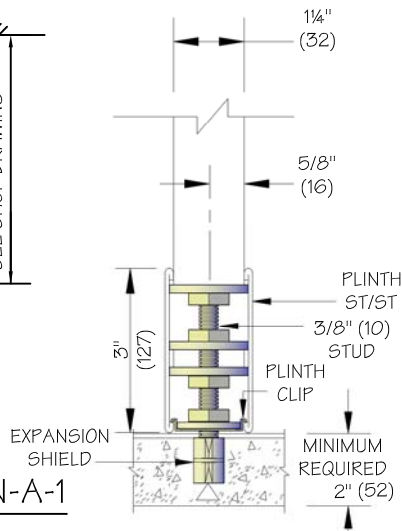


DIMENSIONS IN () = MILLIMETERS



FLOOR PLAN

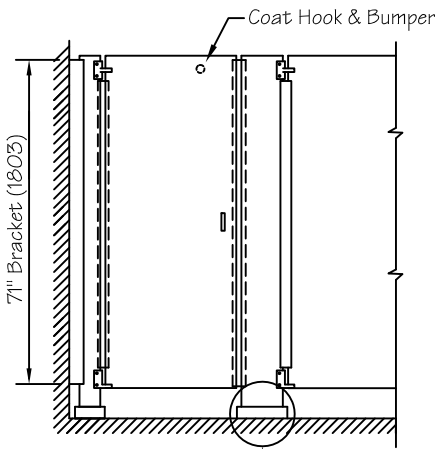
SECTION-A-1



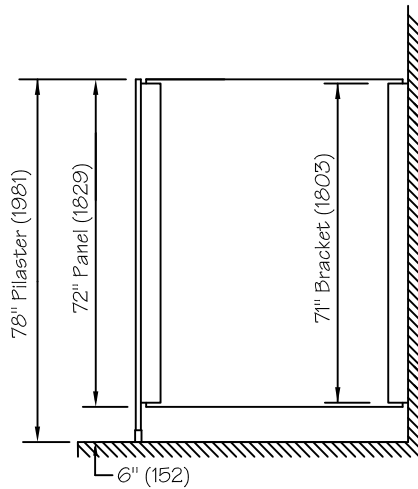
DETAIL A

NOTE: This drawing is a standard detail intended to show general construction and specification. See shop drawing(s) for actual job layouts and specific job conditions that supercede any conflicting information on this detail sheet. Blocking (by others) or adequate support within wall required to support full length brackets.

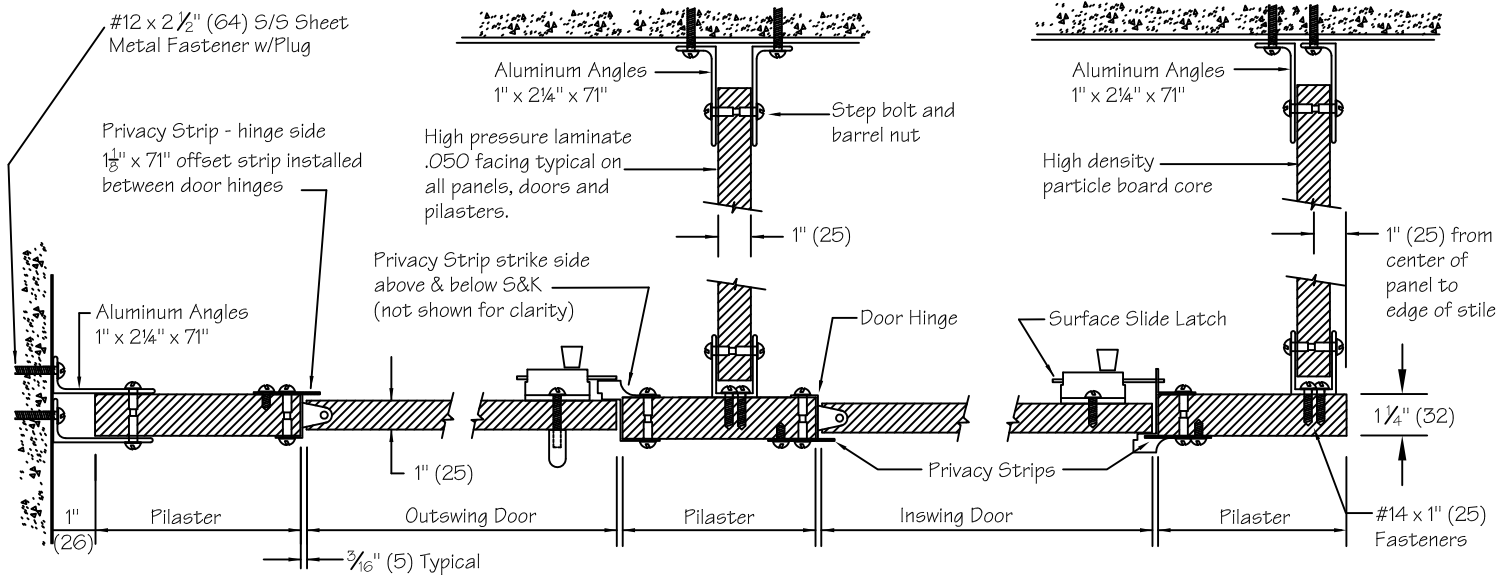
*Door Pull - align with inside door latch @ 42" AFF.



FRONT ELEVATION



SIDE ELEVATION



METPAR CORP

95 State Street, Westbury, NY 11590

Tel: 516-333-2600 Fax: 516-333-2618

www.Metpar.com ~ Sales@Metpar.com

PLASTIC LAMINATE

Special Detail FT-700M

Dorian Max Style WFull Privacy

FT700PLM.dwg

08-27-20