



# METPAR SOLID PHENOLIC TOILET ENCLOSURES

## The Dorian – Type CH700D - Ceiling Hung

### *Privacy Style*

**MATERIALS:** Solid phenolic with melamine surface both sides produced with resin impregnated materials compressed at pressures exceeding 1000 p.s.i. at 256 degrees Fahrenheit resulting in a solid, dense, water resistant product. All edges to be black.

**THICKNESS:** Doors..... Finished thickness to  $\frac{3}{4}$ " (19.05mm) at 64" (1625.6) high  
Panels..... Finished thickness to  $\frac{1}{2}$ " (12.7mm) at 64" (1625.6) high  
Pilasters..... Finished thickness to  $\frac{3}{4}$ " (19.05mm) at 6" (152.4) AFF

### **CONSTRUCTION:**

#### Doors and Panels:

Doors and panels are manufactured from solid phenolic materials. Laminating to a core material is not an acceptable alternative. All edges are beveled and polished. Phenolic is Class-B fire rated based on E-84 Tunnel testing; NFPA No. 255 and U.L. No. 723.

#### Pilasters:

Pilasters manufactured from solid phenolic materials. Laminating to a core material is not an acceptable alternative. All edges are beveled and polished. Phenolic is Class-B fire rated based on E-84 Tunnel testing; NFPA No. 255 and U.L. No. 723. All pilasters will have a 5" (127) high #4 finish stainless steel plinth and have straight, flat sides to match pilaster profile. Pilasters are to be secured to structural ceiling members (furnished by others) using  $\frac{3}{8}$ " (9.52) diameter bolts and pilaster leveling nuts. Lock washers used with all nuts to prevent loosening by vibration. Bottom of door is level with bottom of pilasters with no protruding hardware. Tension nuts will be used to apply equal and opposite pressure to all points of the mounting system. Zinc plated,  $\frac{3}{8}$ " (9.52) diameter studs, lock washers and nuts will be provided.

### **BRACKETS:**

All mounting brackets are 13 gauge stainless steel. All panel-to-pilaster connections will use full length 63" U-Brackets. All other connections made with 1" x  $2\frac{1}{4}$ " x 63" full length angles.

### **DOOR HARDWARE:**

Each compartment will be complete with all stainless steel surface mounted hardware including; 63" MultiCam® hinge, latch, coat hook, as well as all the necessary fittings and fastenings for a complete installation. The door stop shall consist of a surface mounted stainless steel strike & keeper coupled with the full height rabbet edge on the strike side of the door and matching side of the pilaster for maximum privacy. Fasteners are chrome-plated brass through bolts with tamper-proof Torx Pin heads. MultiCam® hinges are 16 gauge stainless steel. Remaining door hardware, such as the surface latch, S&K are cast stainless steel.

### **OPTIONAL FEATURES:**

Aluminum curtain track, glides and curtains. Phenolic dressing seats. Class-A rated solid phenolic material. Other special heights or special elevations AFF.

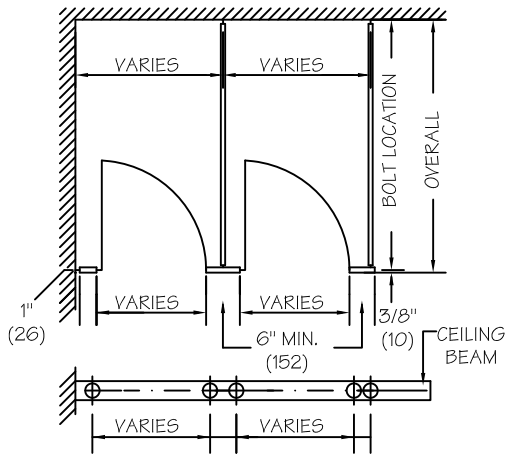


95 State Street, Westbury, New York USA 11590

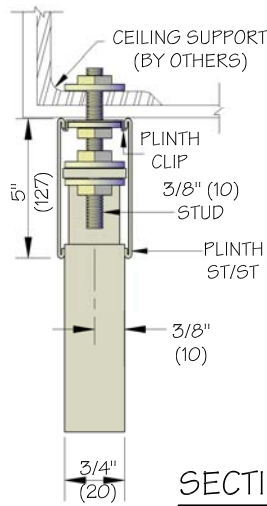
Tel: 516-333-2600 ~ Fax: 516-333-2618

[www.Metpar.com](http://www.Metpar.com) ~ [Sales@Metpar.com](mailto:Sales@Metpar.com)

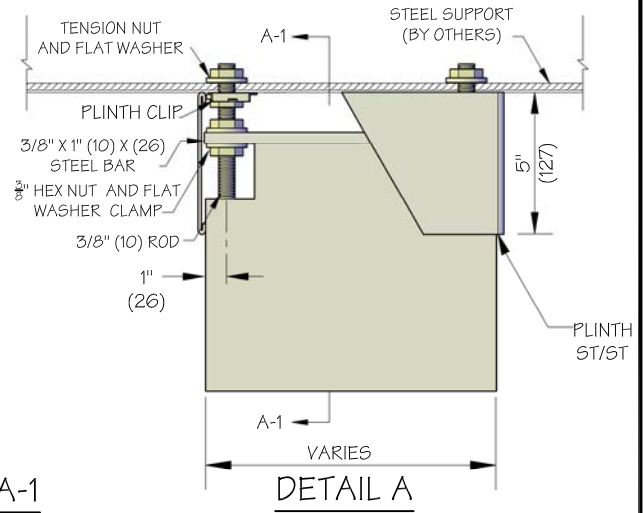
DIMENSIONS IN ( )= MILLIMETERS



FLOOR PLAN

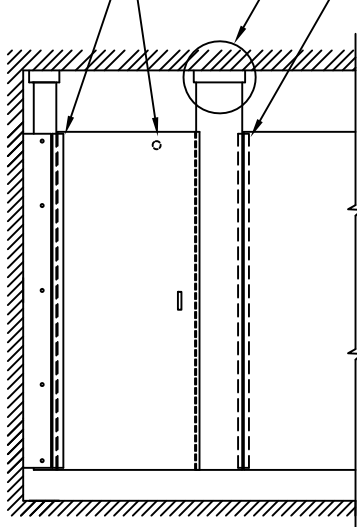


SECTION-A-1

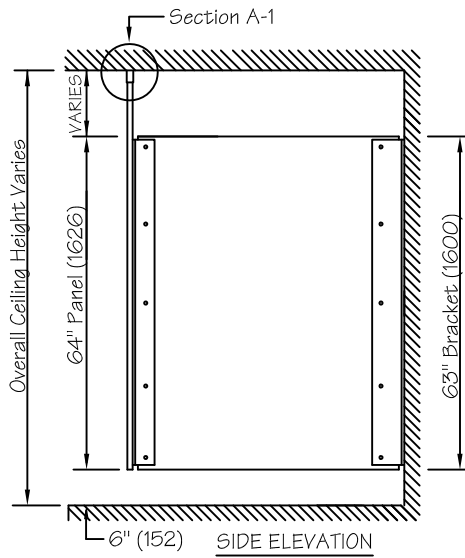


DETAIL A

MultiCam hinge outside of stall  
Coat Hook & Bumper  
Detail "A"  
MultiCam hinge inside stall



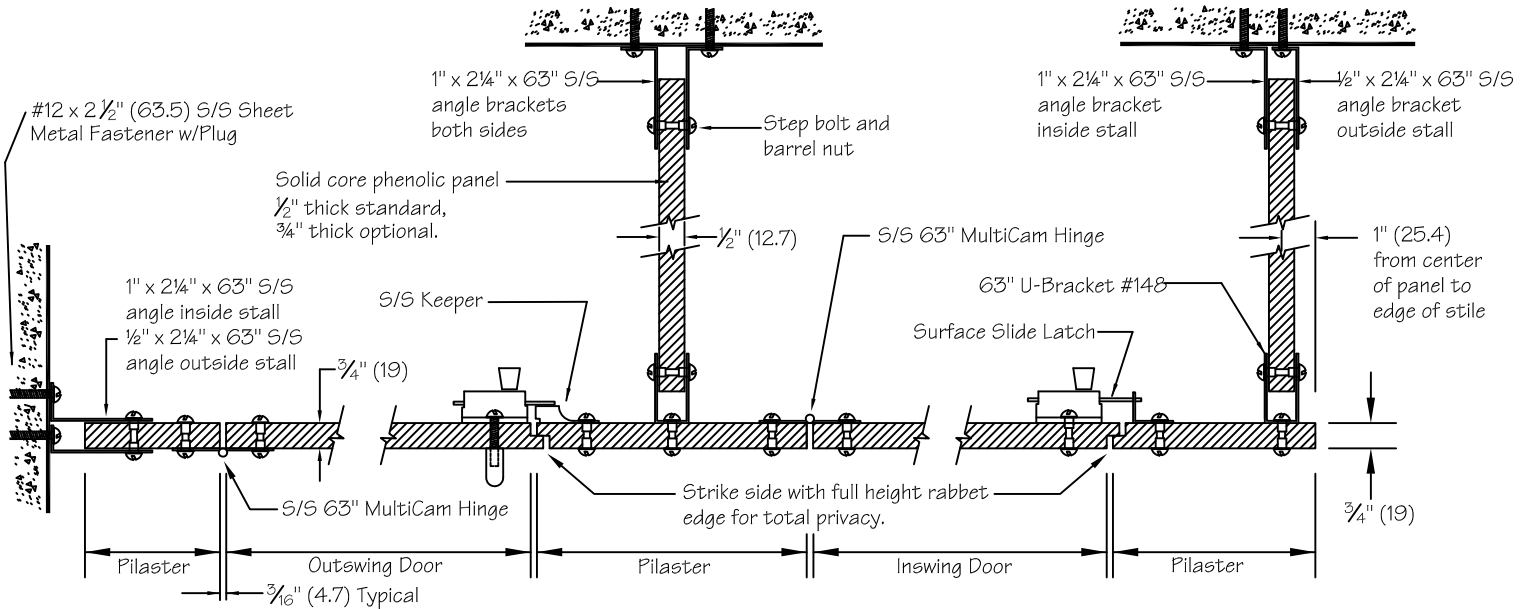
FRONT ELEVATION



SIDE ELEVATION

**NOTES:** This drawing is a standard detail intended to show general information. See shop drawings for actual job layout and specific job conditions that supercede any conflicting information on this sheet.

Blocking (by others) or adequate support within wall required to support full length brackets.



**METPAR CORP**

95 State Street, Westbury, NY 11590

Tel: 516-333-2600 Fax: 516-333-2618

www.Metpar.com ~ Sales@Metpar.com

SOLID PHENOLIC

Special Detail - CH700D  
Dorian W/Full Privacy

CH700PHD.dwg

05/01/2020