



# METPAR SOLID PHENOLIC TOILET ENCLOSURES

## **The Dorian Max – Type FP500M - Overhead Braced**

### *Maximum Privacy Style*

**MATERIALS:** Solid phenolic with melamine surface both sides produced with resin impregnated materials compressed at pressures exceeding 1000 p.s.i. at 256 degrees Fahrenheit resulting in a solid, dense, water resistant product. All edges to be black.

**THICKNESS:** Doors..... Finished thickness to ¾" (19.05mm) at 72" (1828.8) high  
Panels..... Finished thickness to ½" (12.7mm) at 72" (1828.8) high  
Pilasters..... Finished thickness to ¾" (19.05mm) at 82" (2082.8) high

### **CONSTRUCTION:**

#### Doors and Panels:

Doors and panels are manufactured from solid phenolic materials. Laminating to a core material is not an acceptable alternative. All edges are beveled and polished. Phenolic is Class-B fire rated based on E-84 Tunnel testing; NFPA No. 255 and U.L. No. 723.

#### Pilasters:

Pilasters are manufactured from solid phenolic materials. Laminating to a core material is not an acceptable alternative. All edges are beveled and polished. Phenolic is Class-B fire rated based on E-84 Tunnel testing; NFPA No. 255 and U.L. No. 723. Pilasters are to be secured to concrete floor with type 304 stainless steel floor mounting clips. All pilasters will have a 3" (76.2) high #4 finish stainless steel plinth and have straight, flat sides to match pilaster profile. Anodized aluminum headrail, .050" (1.27) wall thickness, with anti-grip profile, will brace the top of the pilasters.

### **BRACKETS:**

All mounting brackets are 13 gauge stainless steel. All panel-to-pilaster connections will use full length 71" U-Brackets. All other connections made with 1" x 2¼" x 71" full length angles.

### **DOOR HARDWARE:**

Each compartment will be complete with all stainless steel surface mounted hardware including; 71" MultiCam® hinge, latch, coat hook, as well as all the necessary fittings and fastenings for a complete installation. The door stop shall consist of a surface mounted stainless steel strike & keeper coupled with the full height rabbet edge on the strike side of the door and matching side of the pilaster for maximum privacy. Fasteners are chrome-plated brass through bolts with tamper-proof Torx Pin heads. MultiCam® hinges are 16 gauge stainless steel. Remaining door hardware, such as the surface latch, S&K are cast stainless steel.

### **OPTIONAL FEATURES:**

Aluminum curtain track, glides and curtains. Phenolic dressing seats. Class-A rated solid phenolic material. Other special heights or special elevations AFF.

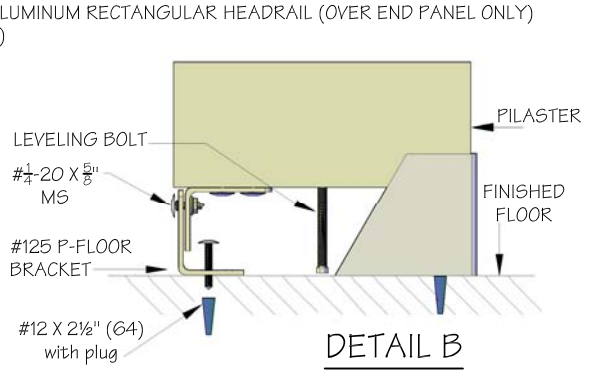
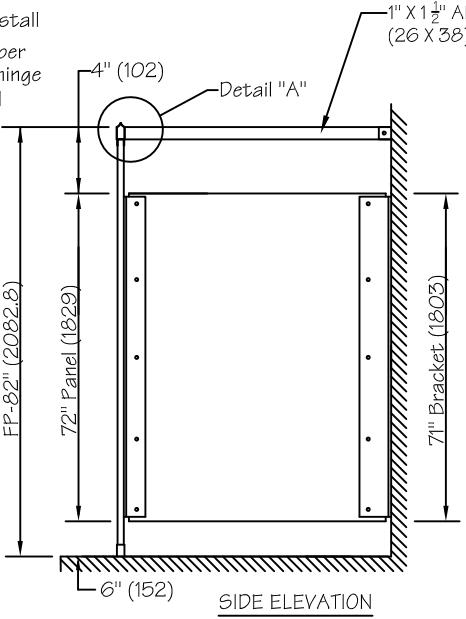
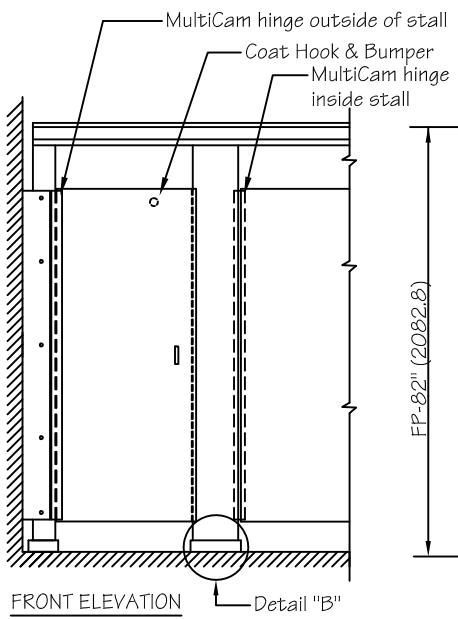
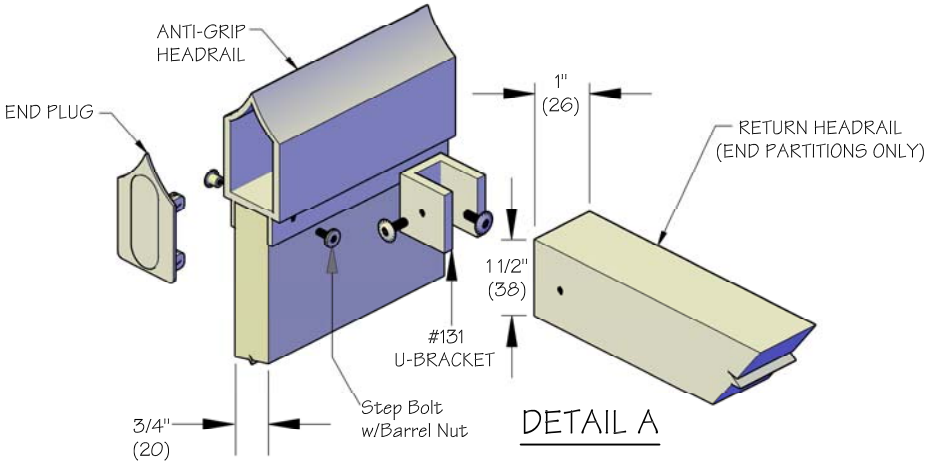
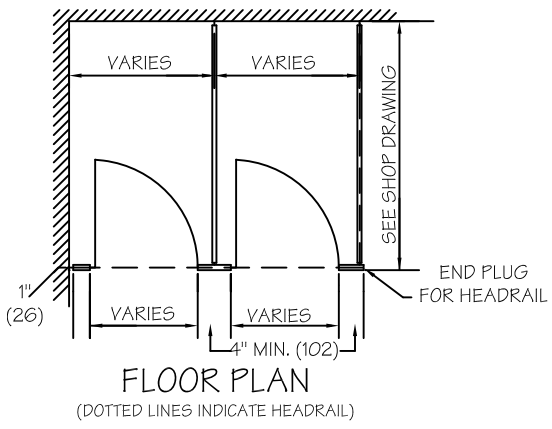


95 State Street, Westbury, New York USA 11590

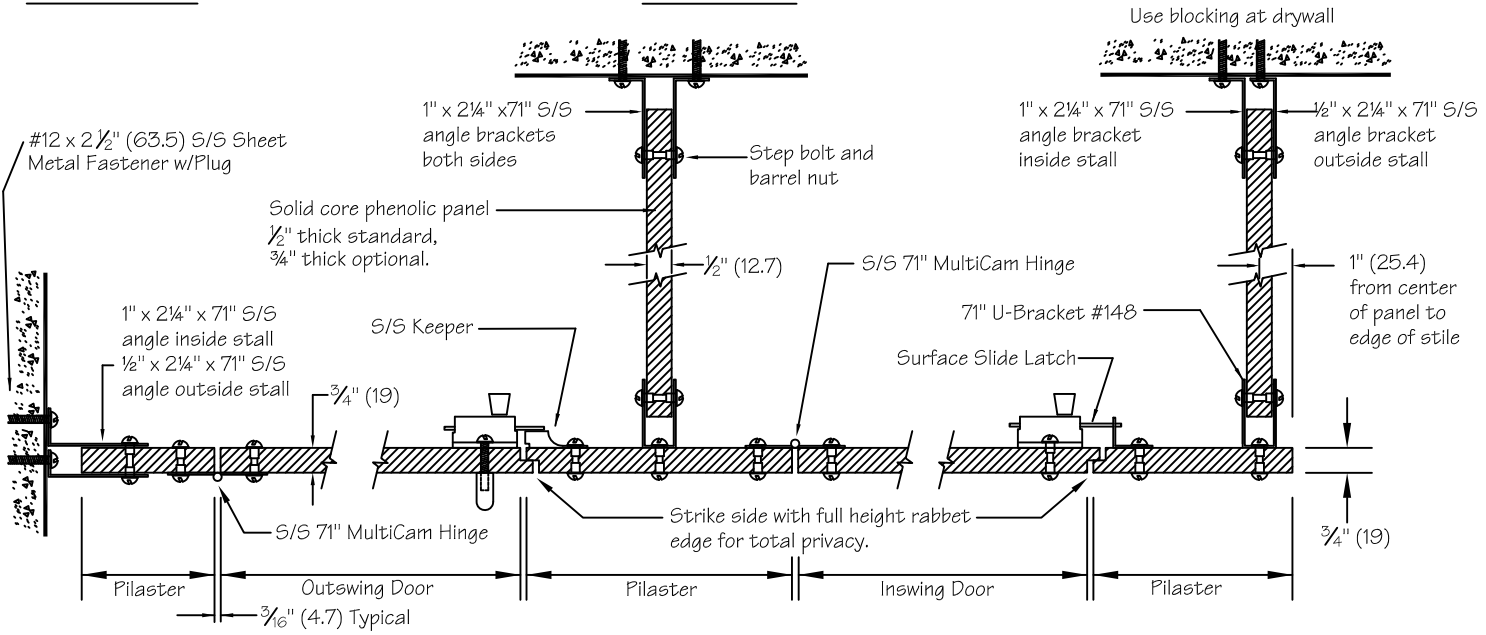
Tel: 516-333-2600 ~ Fax: 516-333-2618

[www.Metpar.com](http://www.Metpar.com) ~ [Sales@Metpar.com](mailto:Sales@Metpar.com)

DIMENSIONS IN ( ) = MILLIMETERS



NOTES: This drawing is a standard detail intended to show general information. See shop drawings for actual job layout and specific job conditions that supercede any conflicting information on this sheet. Blocking (by others) or adequate support within wall required to support full length brackets.



**METPAR CORP**  
 95 State Street, Westbury, NY 11590  
 Tel: 516-333-2600 Fax: 516-333-2618  
 www.Metpar.com ~ Sales@Metpar.com

SOLID PHENOLIC  
 Special Detail FP-500M  
 Dorian Max Style W/Full Privacy  
 FP500PHM.dwg 05-01-2020