



METPAR Color-Thru SOLID PHENOLIC TOILET ENCLOSURES

The Dorian Max – Type FT700M - Floor Mounted

Maximum Privacy Style

MATERIALS: Composition: Decorative surface papers impregnated with melamine resins and pressed over kraft paper core sheets impregnated with phenolic resin. Sheets then bonded together under pressures greater than 1,000 lbs. per sq. in. and high temperatures approaching 300 deg F (149 deg C). Finished sheets trimmed and backs sanded to facilitate bonding to substrate. This specialty Color-Thru design provides no visible seams at the edges with durable, high performance characteristics, resistant to delamination, water, high humidity, corrosion. Fire resistant per ASTM-E84 Class A.

THICKNESS: Doors..... Finished thickness to 3/4" (19.05mm) at 72" (1828.8) high
Panels..... Finished thickness to 1/2" (12.7mm) at 72" (1828.8) high
Pilasters..... Finished thickness to 3/4" (19.05mm) at 78" (1981.2) high

CONSTRUCTION:

Doors and Panels:

Doors and panels are manufactured from solid phenolic materials. Laminating to a core material is not an acceptable alternative. All edges are beveled and polished. Phenolic is Class-A fire rated based on E-84 Tunnel testing; NFPA No. 255 and U.L. No. 723.

Pilasters:

Pilasters are manufactured from solid phenolic materials. Laminating to a core material is not an acceptable alternative. All edges are beveled and polished. Phenolic is Class-A fire rated based on E-84 Tunnel testing; NFPA No. 255 and U.L. No. 723. Pilasters are to be secured to concrete floor by a 3/8" (9.525) steel anchor bar mechanism fastened to cylindrical anchors implanted through the complete thickness of the pilaster. Tension nuts will be used to apply equal and opposite pressure to all points of the mounting system. Zinc plated, 3/8" (9.525) diameter studs, lock washers, nuts and expansion shields will be provided.

BRACKETS:

All mounting brackets are 13 gauge stainless steel. All panel-to-pilaster connections will use full length 71" U-Brackets. All other connections made with 1" x 2 1/4" x 71" full length angles.

DOOR HARDWARE:

Each compartment will be complete with all stainless steel surface mounted hardware including; 71" MultiCam® hinge, latch, coat hook, as well as all the necessary fittings and fastenings for a complete installation. The door stop shall consist of a surface mounted stainless steel strike & keeper coupled with the full height rabbet edge on the strike side of the door and matching side of the pilaster for maximum privacy. Fasteners are chrome-plated brass through bolts with tamper-proof Torx Pin heads. MultiCam® hinges are 16 gauge stainless steel. Remaining door hardware, such as the surface latch, S&K are cast stainless steel.

OPTIONAL FEATURES:

Aluminum curtain track, glides and curtains. Phenolic dressing seats. Other special heights or special elevations AFF.

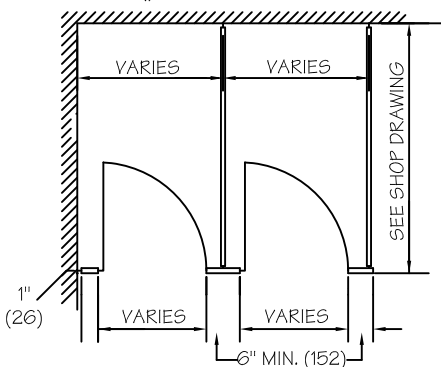


95 State Street, Westbury, New York USA 11590

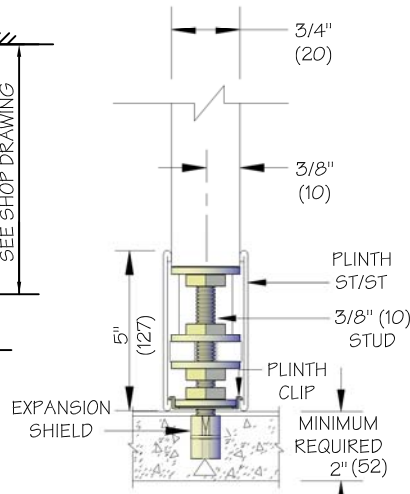
Tel: 516-333-2600 ~ Fax: 516-333-2618

www.Metpar.com ~ Sales@Metpar.com

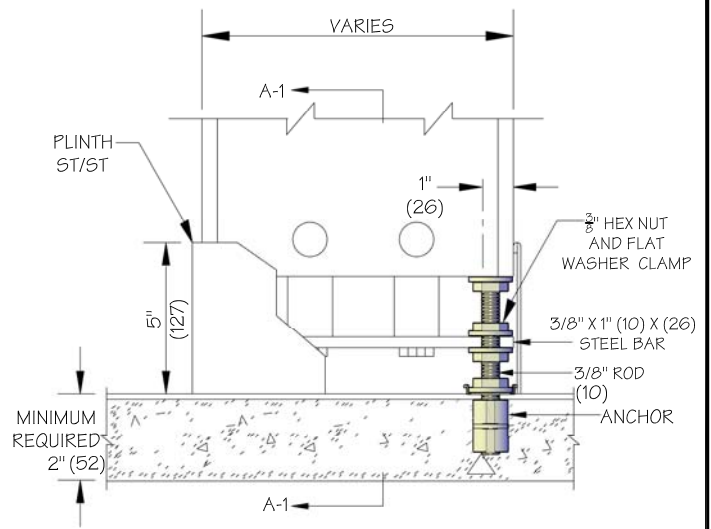
DIMENSIONS IN () = MILLIMETERS



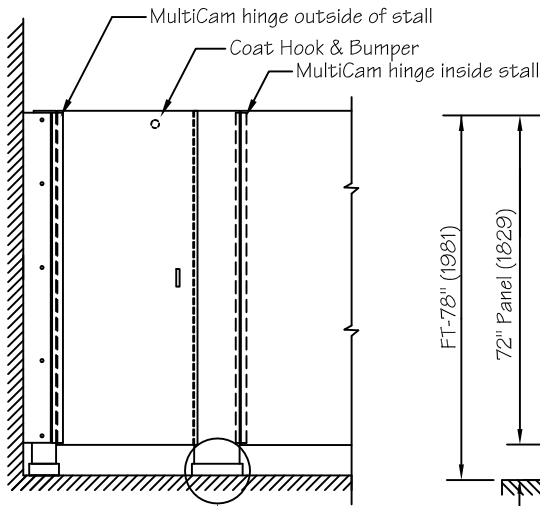
FLOOR PLAN



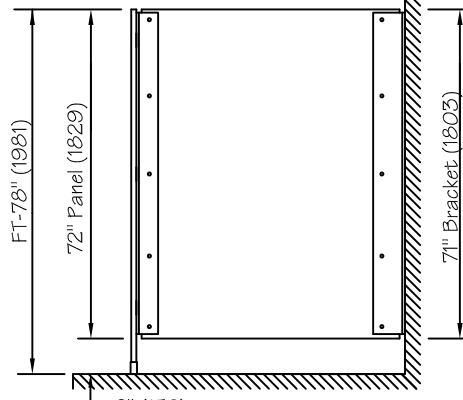
SECTION-A-1



DETAIL A

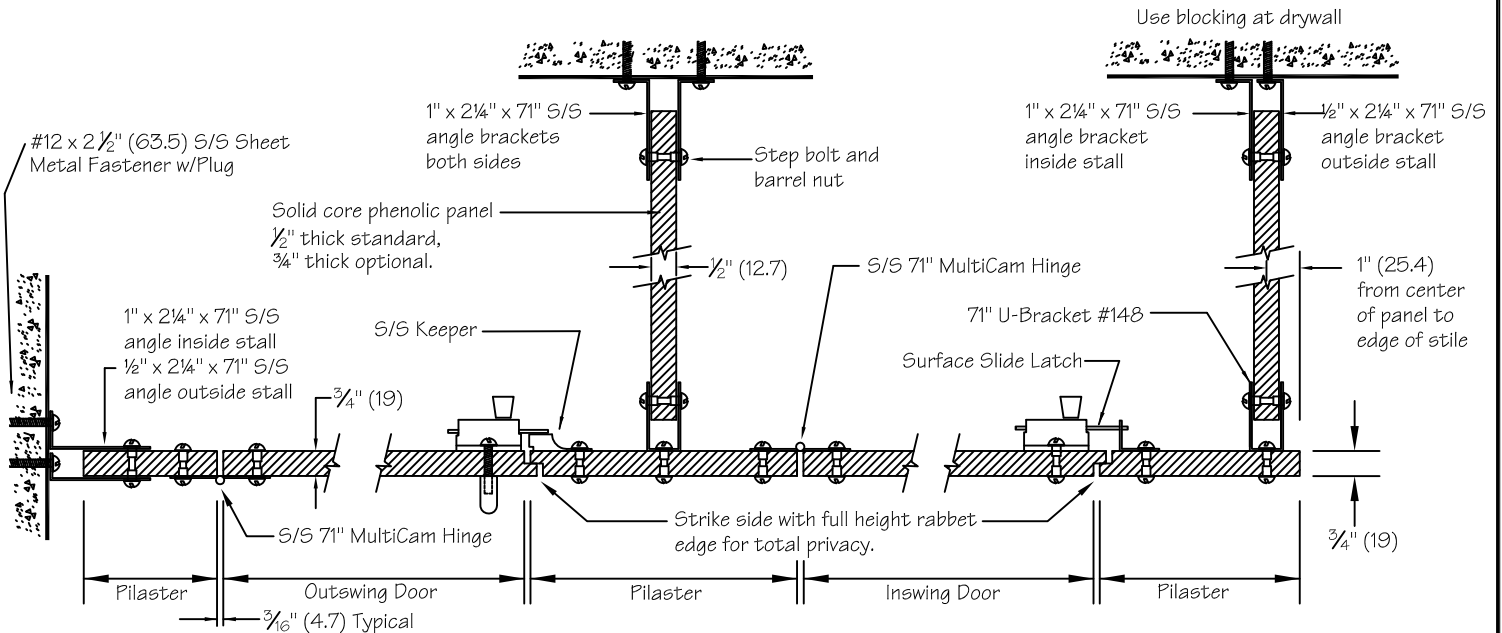


FRONT ELEVATION



SIDE ELEVATION

NOTES: This drawing is a standard detail intended to show general information. See shop drawings for actual job layout and specific job conditions that supercede any conflicting information on this sheet. Blocking (by others) or adequate support within wall required to support full length brackets.



METPAR CORP

95 State Street, Westbury, NY 11590

Tel: 516-333-2600 Fax: 516-333-2618

www.Metpar.com ~ Sales@Metpar.com

SOLID PHENOLIC

Special Detail FT-700M

Dorian Max Style W/Full Privacy

FT700PHM.dwg

05/01/2020