

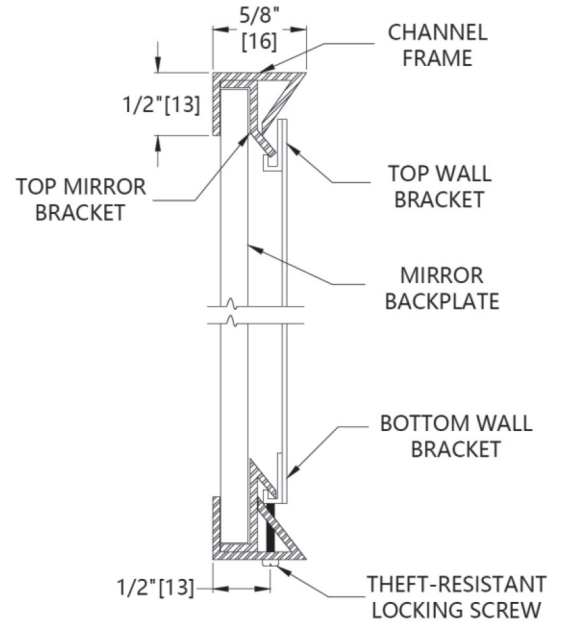
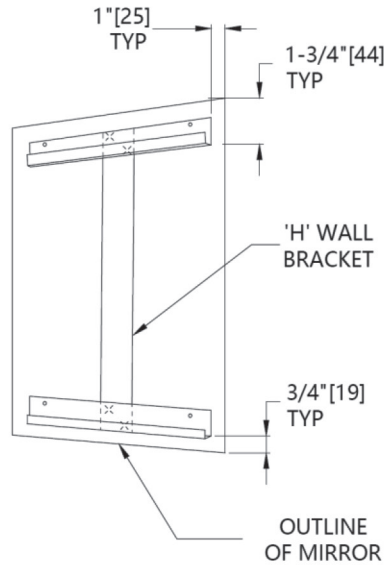
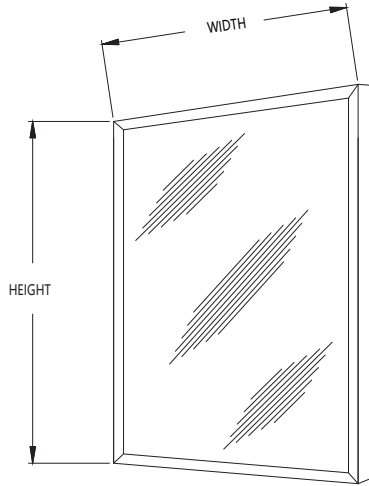


# METPAR CORP

95 State Street, Westbury, NY 11590  
 Tel: (516)-333-2600 fax: 516-333-2618  
 sales@metpar.com ~ www.metpar.com

## CHANNEL-FRAME MIRROR 1/4" PLATE GLASS

### CFM-100 SERIES



Model #	Width	Height
CFM-100-1836	18"	36"
CFM-100-2436	24"	36"

#### SPECIFICATION

Channel Frame Mirror shall have a frame fabricated of 22-gauge type 304 stainless steel, with neatly mitered corners. All edges of mirror shall be protected by friction and chafe absorbing fillers. Mirror shall be of first quality 5mm thick plate/float glass. Back of mirror shall be protected by full size shock-absorbing water-resistant foam filler and full size one piece 24-gauge galvanized steel sheet. Top and bottom wall mounting brackets shall be 22-gauge galvanized steel and shall be spot welded into "H" hanger. Mirror shall be secured to lower bracket with a locking screw.

Channel Frame Mirror shall be CFM-100 Series Model # [enter from above chart] of Metpar Corporation, 95 State Street, Westbury, NY 11590.

#### CONSTRUCTION:

**Frame:** Fabricated of #22-gauge type 304 stainless steel. All exposed surfaces shall be #4 satin finish. One-piece roll formed channel frame. Edges and mitered corners are burr free.

**Glass:** Standard glazing is #1 quality, 5mm thick plate/float glass. Mirror is coated with silver and sealed with a uniform electrolytic copper plating.

**Filler:** Full size, 1/8" thick abrasion resistant, shock absorbing, and water-resistant expanded polyethylene microcell foam sheet material. Padding protects all concealed mirror surfaces.

#### INSTALLATION

Surface mounted. Install "H" wall brackets level and plumb per diagram location using ONLY No. 8 or No. 10 screws (furnished by others). Hang mirror on brackets and tighten locking screw at bottom. Mirror is replaceable in the field. ADA Guide: bottom edge of reflecting surface should be no higher than 40" from bottom edge of reflective surface to the finished floor.