

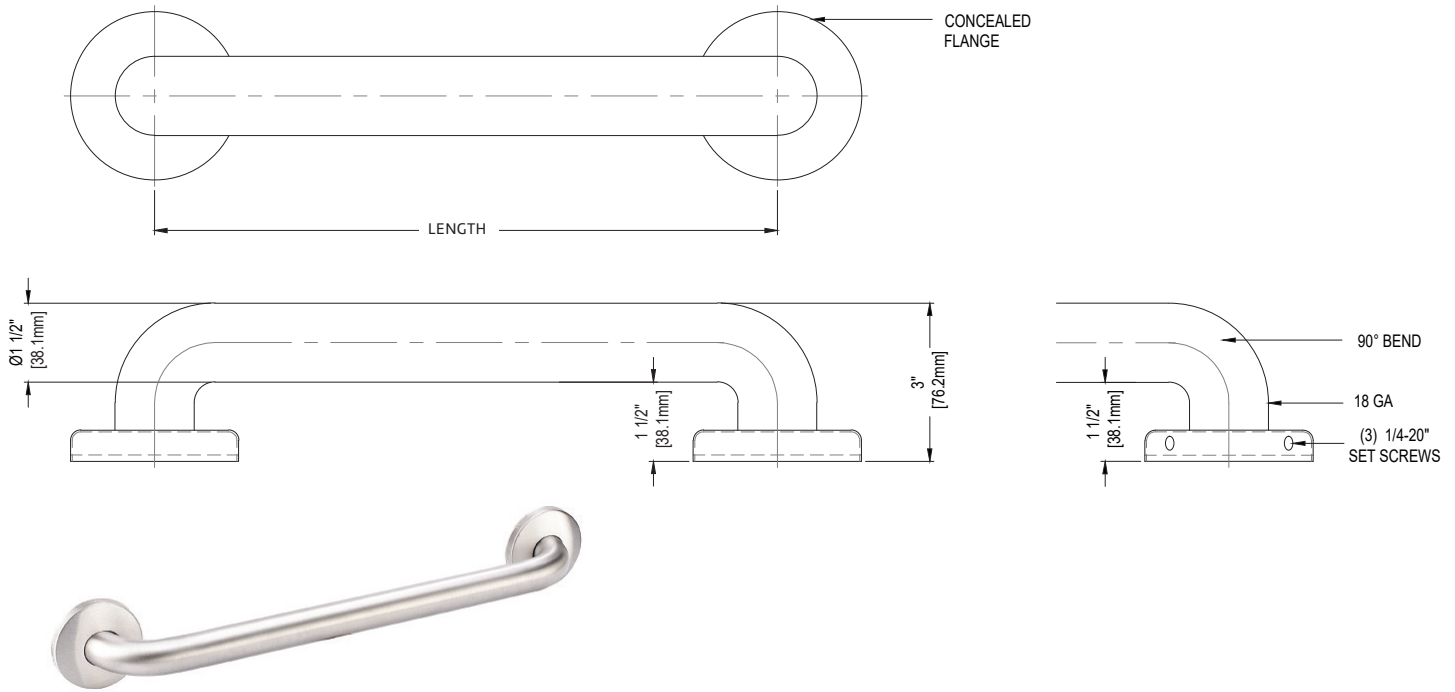


METPAR CORP

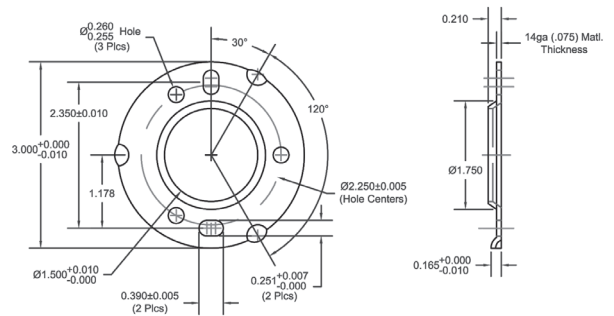
95 State Street, Westbury, NY 11590
 Tel: (516)-333-2600 fax: 516-333-2618
 sales@metpar.com ~ www.metpar.com

STRAIGHT GRAB BAR 1-1/2" DIA. SNAP FLANGE CONCEALED

GRB-150 SERIES



Model #	Length	Grip
GRB-150-18	18"	Smooth
GRB-150-36	36"	Smooth
GRB-150-42	42"	Smooth



SPECIFICATION

Stainless steel 1.5" grab bar with Snap-on flange shall be fabricated of #304 stainless steel. Tubing shall be 18-gauge 1-1/2" diameter (38.1 mm), Snap-on cover shall be 0.8mm, Flange shall be 3mm thick and shall be Heliarc welded to tubing with a continuous concealed bead. All exposed surfaces shall have a #4 satin finish and shall be protected during shipment with a plastic bag. Bars with a 1 1/2" clearance will support loads in excess of 900lbs when properly installed.

Stainless Steel Grab Bar 1.5" DIA Snap-On Flange shall be Model # [insert from chart above] of Metpar Corporation, 95 State Street, Westbury, NY 11590.

INSTALLATION

Before installing grab bars, verify with all state and local codes for requirements on bar diameter and type finish. Use grab bar as template to mark mounting holes locations and pre-drill holes. Transfer mounting points (3 per flange) to wall. Drill pilot holes and secure bar using two (2) self-tapping screws (by others) or other fastener system (by others) to suit conditions for each flange. ADA Guide: Install unit so that the top of the grab bar is 33" (840mm) minimum above finished floor (AFF) to 36" (915mm) maximum AFF.