

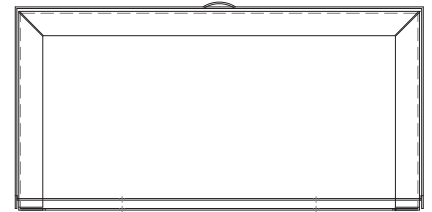
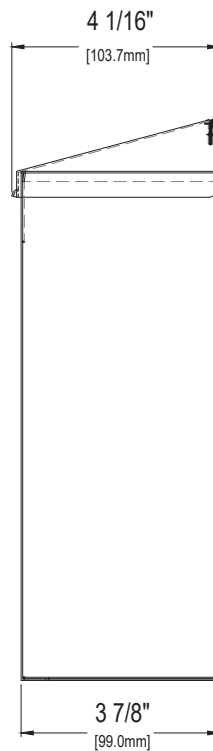
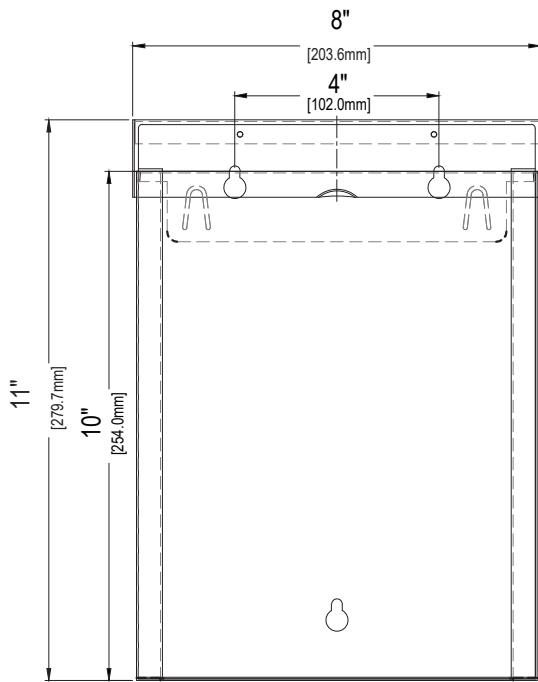


METPAR CORP

95 State Street, Westbury, NY 11590
Tel: (516)-333-2600 fax: 516-333-2618
sales@metpar.com ~ www.metpar.com

SANITARY NAPKIN DISPOSAL SURFACE MOUNTED

Model # SND-100



SPECIFICATION

Surface Mounted Sanitary Napkin Disposal shall be 22-gauge type 304 stainless steel alloy 18-8. Seamless welded construction with hemmed edges and sloped top. All exposed surfaces shall be #304 satin finish. Unit shall have a capacity of 1.2 gallons (4.5 L). Top cover is attached to cabinet with a full stainless-steel piano hinge. Overall Dimensions: 8" W x 11" H x 4 1/2" D (203.6mm x 279.7mm x 103.7mm).

Surface Mounted Sanitary Napkin Disposal shall be Model #SND-100 of Metpar Corporation, 95 State Street, Westbury, NY 11590.

OPERATION

User slips cover up for disposal of sanitary napkins and for servicing container. Maintenance schedule determines trash removal cycle. Unit is emptied by opening top door and removing wax paper collection bag. Waxed paper liner bags (5oz per case) are furnished by others.

INSTALLATION

Unit to be surface mounted at desired or specified location on wall or partition using three (3) No. 8 self-tapping pan head screws. Two (2) mounting holes through back are keyhole slots for ease in hanging unit on pre-installed screws. For compliance with ADA Accessibility Guidelines, install unit so that the top cover is 44" (1118mm) maximum above finished floor.