



METPAR POWDER SHIELD TOILET ENCLOSURES

The Dorian – Type FP500D - Overhead Braced

Privacy Style

MATERIALS: Bonderized, Galvanized Steel

THICKNESS: Doors..... 22 Gauge, Finished to 1" (25mm) at 64" (1626) high
Panels..... 22 Gauge, Finished to 1" (25mm) at 64" (1626) high
Pilasters..... 20 Gauge, Finished to 1¼" (32mm) at 82" (2083) high

CONSTRUCTION:

Doors:

Finished to 1"(25) thick, constructed of two sheets of 22-gauge, bonderized, galvanized steel formed and cemented under pressure to a honeycomb core. Door face sheets are welded at intervals around the entire perimeter. All edges to be finished with a 20-gauge interlocking molding. Corners are finished with pre-formed painted stainless steel reinforcements. Corners are to be welded internally to ensure that the galvanized rust resistant coating is not removed. Doors shall have internal steel reinforcements to secure hardware items.

Panels:

Finished to 1" (25) thick, constructed of 2 sheets of 22-gauge bonderized, galvanized steel, formed and cemented under pressure to a honeycomb core. All partition edges are finished with a 20-gauge interlocking molding. Corners are finished with pre-formed painted stainless steel reinforcements.

Pilasters:

Finished to 1¼" (32) thick, constructed of two sheets of 20-gauge, bonderized, galvanized steel, formed and assembled with a honeycomb core. Face sheets are electrically welded at intervals around the entire perimeter. All pilasters will have a 4" (102) high #4 finish stainless steel plinth and have straight, flat sides with rounded edges to match the pilaster profile. Pilasters will have leveling bolts threaded to the pilaster support bracket. Floor mounting will be with #12 x 2½" (64) screws and shields. Headrail is anodized aluminum .050 (1.27) wall thickness with anti-grip profile. The headrail is set into a 16ga. channel reinforcement which occupies the full width of the pilaster and is electrically welded in place for maximum strength.

BRACKETS:

Attachment brackets are full height clear anodized aluminum U-Channels for panel-to-pilaster conditions and 1" x 2¼" angles elsewhere.

DOOR HARDWARE:

Each compartment will be complete with two door hinges, latch, stop and keeper, coat hook, as well as all necessary fittings and fastenings for a complete installation. Hinges are fastened by means of tamper-proof Torx Pin Head through bolts, which are polished chrome plated. All other screws to be tamper-proof Torx Pin Head chrome plated. Doors are to be hung on a concealed, "stay-set", fully adjustable, non-rising door mechanism. Upper hinge pin shall be 3/8" (10) diameter steel. All hinges will have wrap-around flanges with a minimum of 5/8" (16) wrap onto pilaster. All doors will have a concealed ADA approved slide latch with external "in-use" indicator. A continuous anodized aluminum extrusion is provided for both strike & hinge sides to eliminate gaps between door & pilaster.

FINISH:

All rust inhibitive coated material shall be chemically cleaned and painted with multiple coats of Epoxy Hybrid Powder applied electrostatically.

OPTIONS:

Full height stainless steel angles & U-Channels. Full height stainless steel MutliCam® hinges. Cast S/S wraparound hinges with matching surface latch, S&K. Other special heights or special elevations AFF.

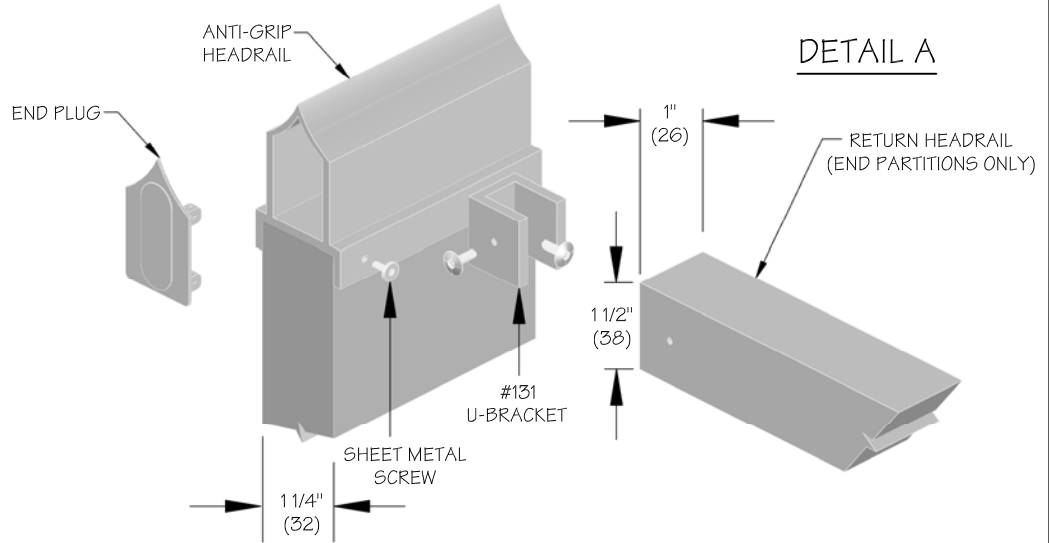
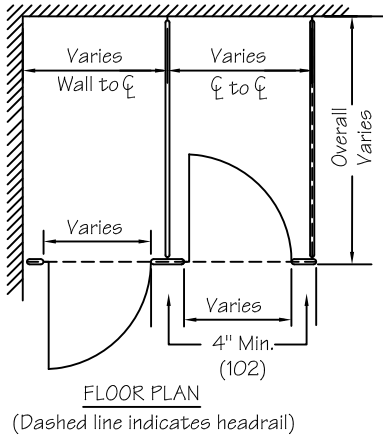


95 State Street, Westbury, New York USA 11590

Tel: 516-333-2600 ~ Fax: 516-333-2618

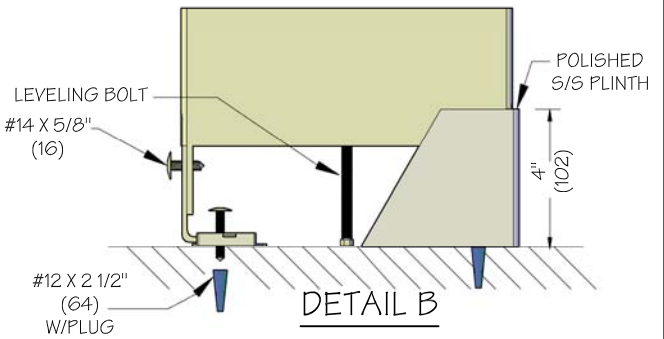
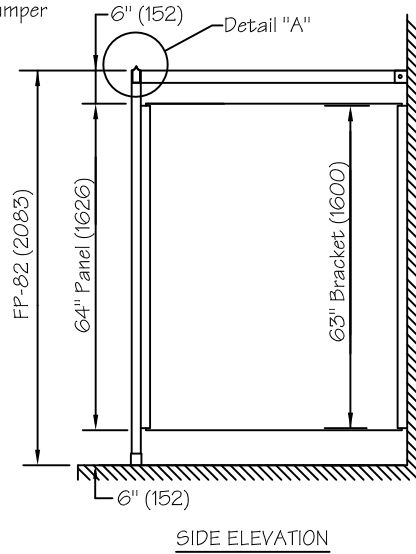
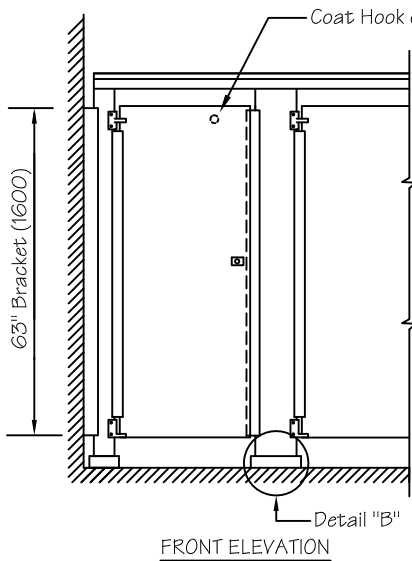
www.Metpar.com ~ Sales@Metpar.com

Dimensions in "()" = Millimeters



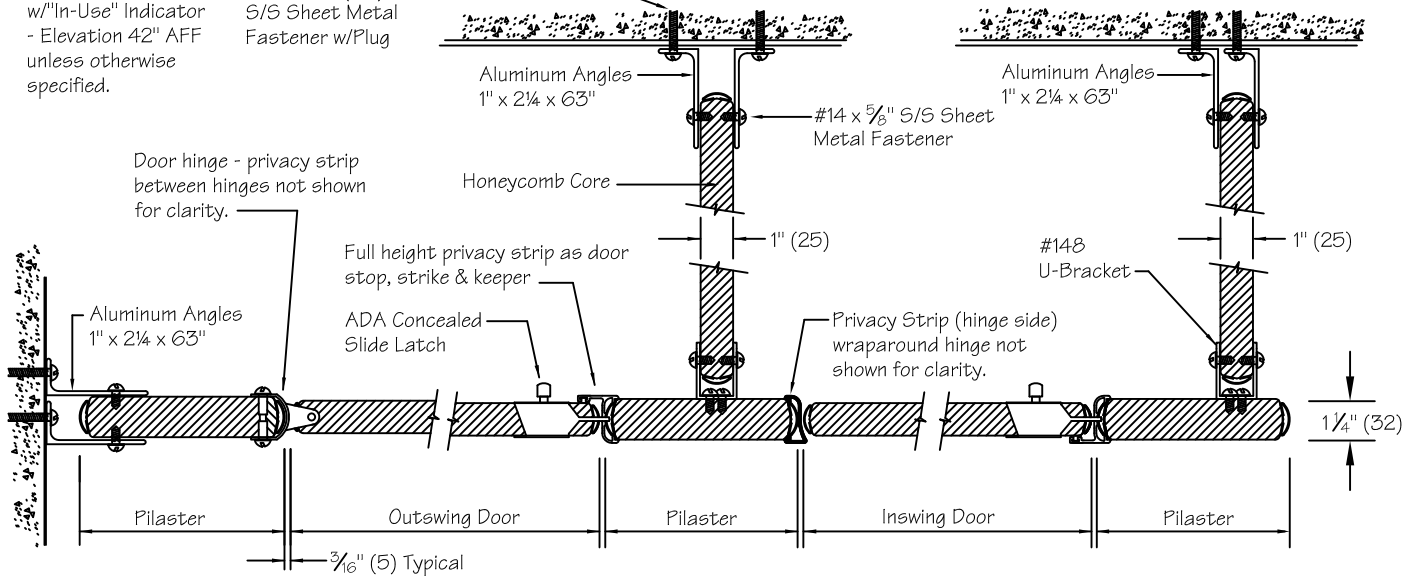
DETAIL A

NOTE: This drawing is a standard detail intended to show general construction and specification. See shop drawing(s) for actual job layouts and specific job conditions that supercede any conflicting information on this detail sheet. Blocking (by others) or adequate support within wall required to support full length brackets.



*Concealed Latch w/"In-Use" Indicator - Elevation 42" AFF unless otherwise specified.
#12 x 2 1/2" (64) S/S Sheet Metal Fastener w/PLUG

Use blocking at drywall



METPAR CORP
95 State Street, Westbury, NY 11590
Tel: 516-333-2600 Fax: 516-333-2618
www.Metpar.com ~ Sales@Metpar.com

POWDER SHIELD
Special Detail - FP500D
Dorian Style with Privacy Strips

FP500BED.dwg

12-21-20