



METPAR POLLY® SPR (HDPE) TOILET ENCLOSURES

The Dorian – Type F/C-FP/FP-D - Floor-To-Ceiling

Privacy Style

MATERIALS: Polly® SPR – Solid Polymer Resin (Heavy Duty Polyethylene)

THICKNESS: Doors..... Finished to 1" (25.4mm) at 64" (1625.6) high
Panels..... Finished to 1" (25.4mm) at 64" (1625.6) high
Pilasters..... Finished to 1" (25.4mm) various heights

CONSTRUCTION:

Doors:

Finished to 1" (25.4mm) thick, all edges shall have a 0.250" (6.4mm) radius. All corners shall have a ½" (13mm) radius. All doors shall include an aluminum heat sink integrated into the bottom of the door.

Panels:

Finished to 1" (25.4mm) thick, all edges shall have a 0.250" (6.4mm) radius and all corners shall have a ½" (13mm) radius. All panels shall include an aluminum heat sink integrated into the bottom of the panel.

Pilasters:

Finished to 1" (25.4mm) thick, all edges shall have a 0.250" (6.4mm) radius. Mounting at top and bottom shall consist of 14 gauge stainless steel angles affixed to pilaster bottom. 14 gauge stainless steel angle forks are mounted with #12 x 1½" (38mm) stainless screws and plastic anchors. All pilasters shall have a ¼" (6mm) x 3" (76mm) hex head leveling bolt. Pilaster mounting shall be concealed with a 3" (76mm), 20 gauge stainless steel floor shoe.

BRACKETS:

All connections at pilaster-to-wall and panel-to-wall shall be secured with full height aluminum angles. Panel-to-pilaster connections secured with full height U-Channels. All screws shall be non-ferrous with a tamper-proof pin head.

DOOR HARDWARE:

All doors shall have a full length 16 gauge stainless steel MultiCam® hinge fastened with tamper-proof pin head fasteners at each leaf. The door stop shall consist of a surface mounted aluminum strike and keeper coupled with the full height rabbet edge on the door and pilaster for maximum privacy. Remaining door hardware, such as the surface slide latch, door pull, etc., shall be aluminum with a bright polished finish.

OPTIONAL FEATURES:

Aluminum curtain glides and curtains. Polly dressing seats. Full height stainless steel angles and U-brackets. Aluminum wraparound hinges. Fire resistant grades of material.

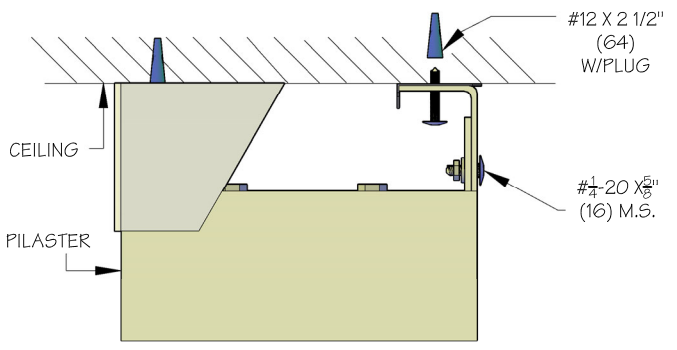
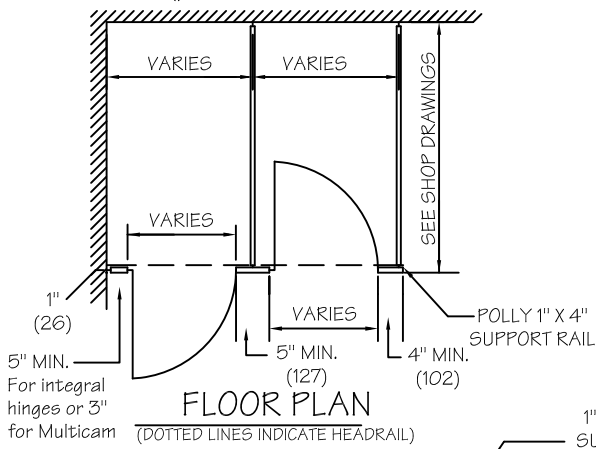


95 State Street, Westbury, New York USA 11590

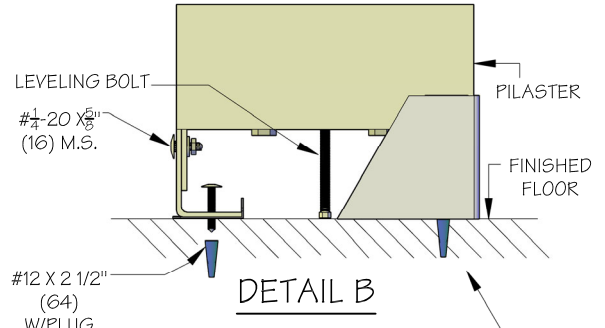
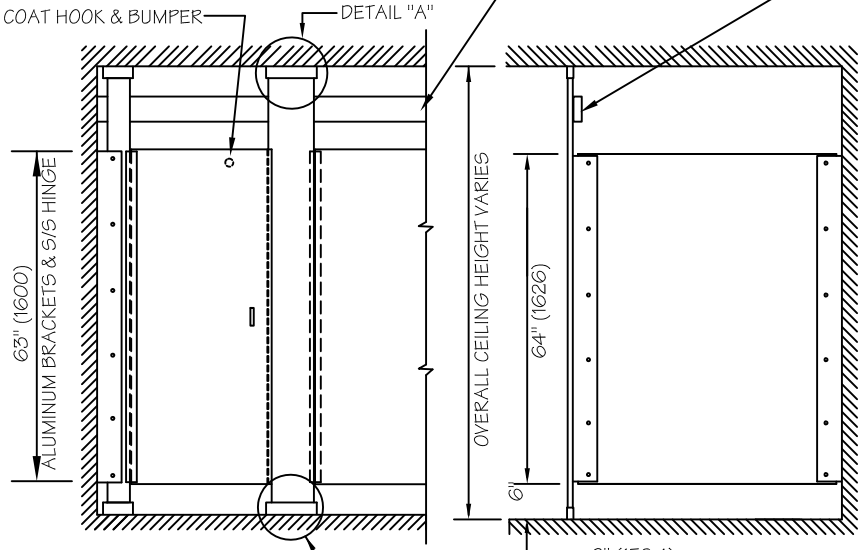
Tel: 516-333-2600 ~ Fax: 516-333-2618

www.Metpar.com ~ Sales@Metpar.com

DIMENSIONS IN () = MILLIMETERS



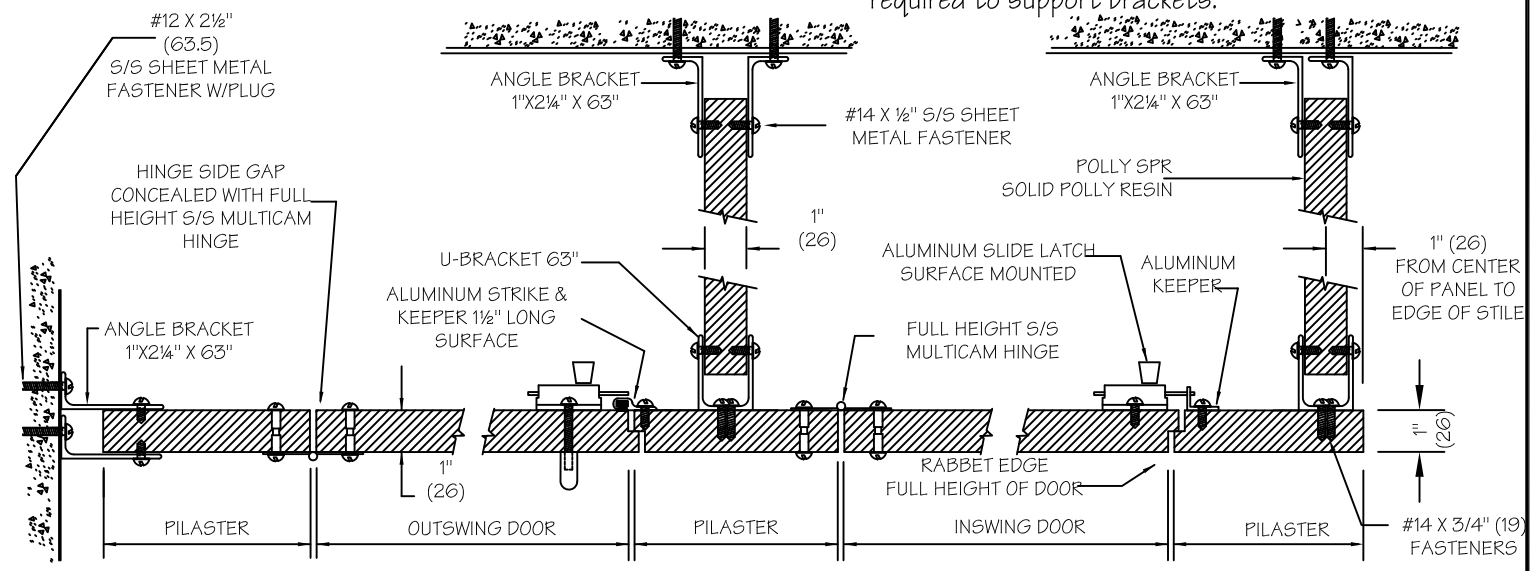
DETAIL A



DETAIL B

FLOOR MOUNTING DETAIL CONCEALED WITH 3" POLISHED STAINLESS STEEL PLINTH

NOTES: This drawing is a standard detail intended to show general information. See shop drawings for actual job layout and specific job conditions that supercede any conflicting information on this sheet. Blocking (by others) or adequate support within wall required to support brackets.



METPAR CORP

95 State Street, Westbury, NY 11590
 Tel: 516-333-2600 Fax: 516-333-2618
 www.Metpar.com ~ Sales@Metpar.com

POLLY®

Special Detail FP Bottom FP Top
 Floor To Ceiling Dorian W/Full Privacy

FCFPFPYD.dwg

03/05/2021