



METPAR POLLY® SPR (HDPE) TOILET ENCLOSURES

The Luxor – Type FT700 - Floor Mounted

MATERIALS: Polly® SPR – Solid Polymer Resin (Heavy Duty Polyethylene)

THICKNESS: Doors..... Finished to 1" (25.4mm) at 55" (1397) high
Panels..... Finished to 1" (25.4mm) at 55" (1397) high
Pilasters..... Finished to 1" (25.4mm) at 68½" (1740) high

CONSTRUCTION:

Doors:

Finished to 1" (25.4mm) thick, all edges shall have a 0.250" (6.4mm) radius. All corners shall have a ½" (13mm) radius. All doors shall include an aluminum heat sink integrated into the bottom of the door.

Panels:

Finished to 1" (25.4mm) thick, all edges shall have a 0.250" (6.4mm) radius and all corners shall have a ½" (13mm) radius. All panels shall include an aluminum heat sink integrated into the bottom of the panel.

Pilasters:

Finished to 1" (25.4mm) thick and 68½" (1740mm) high, all edges shall have a 0.250" (6.4mm) radius. Pilasters are to be secured to the floor by a 3/8" (9.525) steel anchor bar mechanism. Tension nuts are used to apply equal and opposite pressure to all points of mounting system. Zinc plated 3/8" (9.525) diameter studs, lockwashers, nuts and lead expansion shields are provided. Pilaster mounting shall be concealed with a 3" (76mm), 20 gauge stainless steel floor shoe.

BRACKETS:

All connections at pilaster-to-wall, pilaster-to-panel and panel-to-wall shall be secured with full height clear anodized aluminum brackets. All screws shall be non-ferrous with a tamper-proof pin head.

DOOR HARDWARE:

All doors mounted on 5" (127mm) or wider pilasters shall have integral hinges with nylon cams that can be adjusted from closed to varying open positions. All doors mounted on 4" (100mm) or less width pilasters require either aluminum wraparound style hinges or a full length stainless steel MultiCam hinge. The door stop shall consist of a wrap-around strike and keeper. The door lock shall be an aluminum (clear/polished finish) surface slide latch. Door pulls and coat hooks shall be supplied as required.

OPTIONAL FEATURES:

Maximum privacy with a rabbeted edge on the strike side of each door to mate with a coinciding rabbeted edge on each pilaster, coupled with a full height MultiCam hinge to eliminate any gaps. Aluminum curtain glides and curtains. Polly dressing seats. Full height stainless steel angles and U-brackets. Aluminum wraparound hinges or full length stainless steel MultiCam hinges. Fire resistant grades of material.

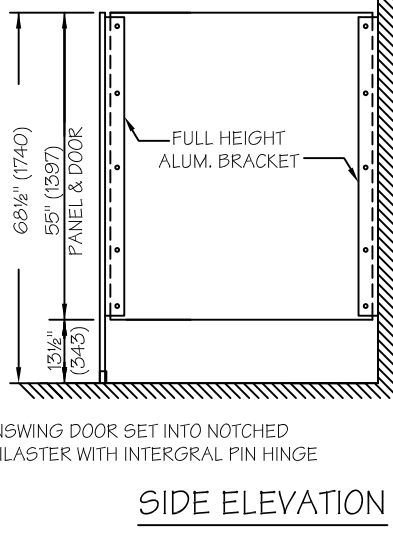
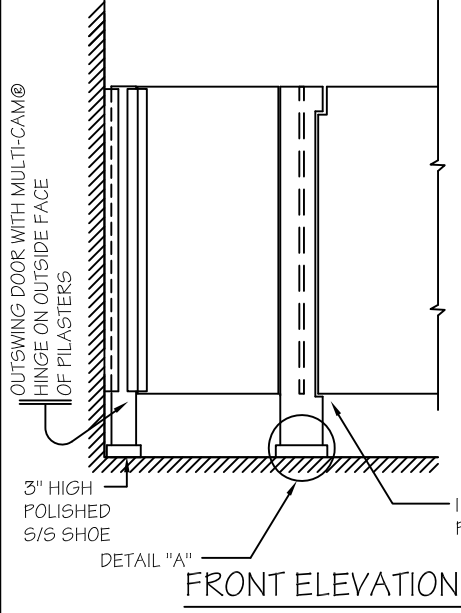
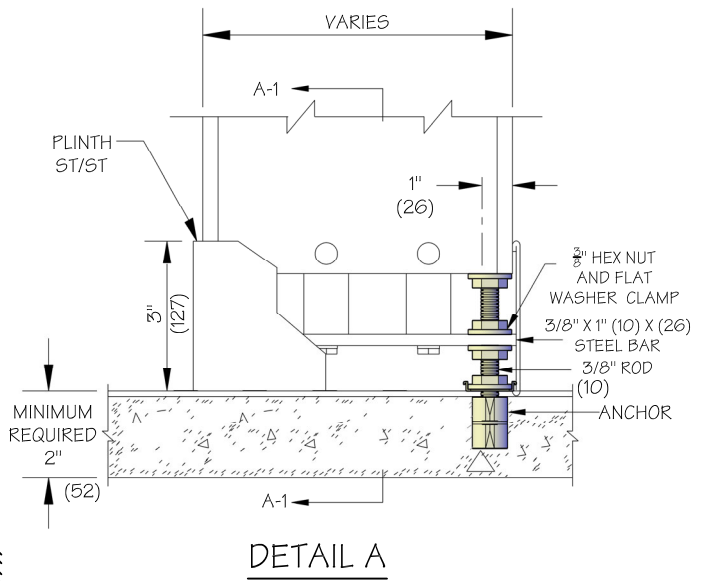
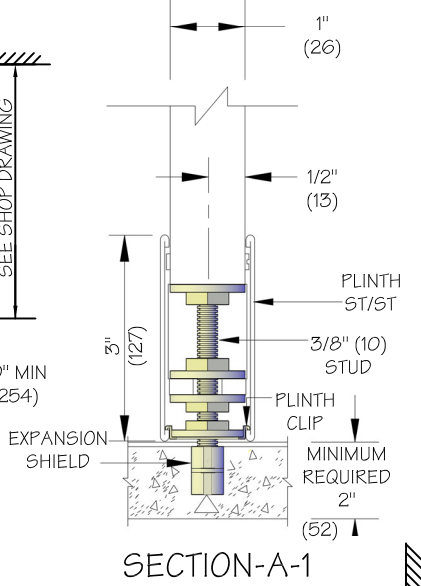
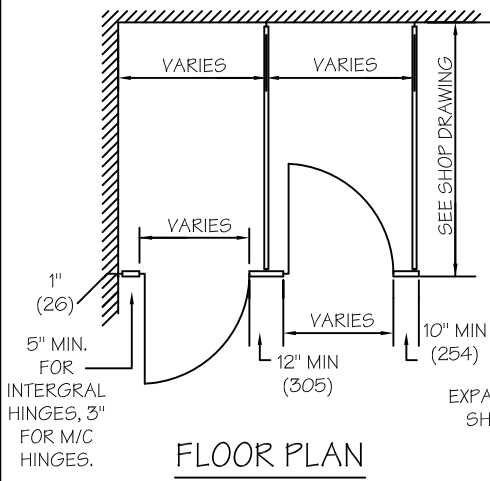


95 State Street, Westbury, New York USA 11590

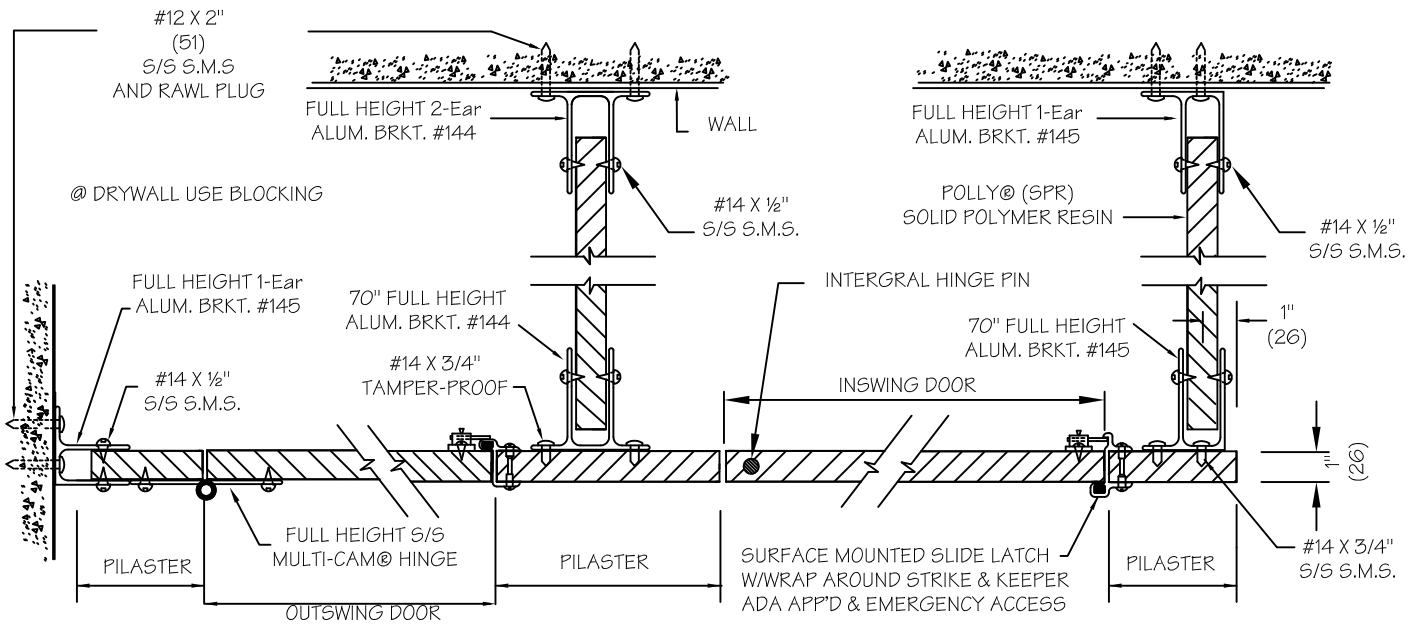
Tel: 516-333-2600 ~ Fax: 516-333-2618

www.Metpar.com ~ Sales@Metpar.com

DIMENSIONS IN ()= MILLIMETERS



NOTES: This drawing is a standard detail intended to show general construction and specification information. See shop drawings for actual job layout and specific job conditions which supercede any conflicting information on this sheet. Blocking (by others) or adequate support within wall required to support brackets.



METPAR CORP
95 State Street, Westbury, NY 11590
Tel: 516-333-2600 Fax: 516-333-2618
www.Metpar.com ~ Sales@Metpar.com

POLLY®
Standard Detail Floor Mounted
FT700 - The Luxor

FT700PY.DWG

03/05/2021