

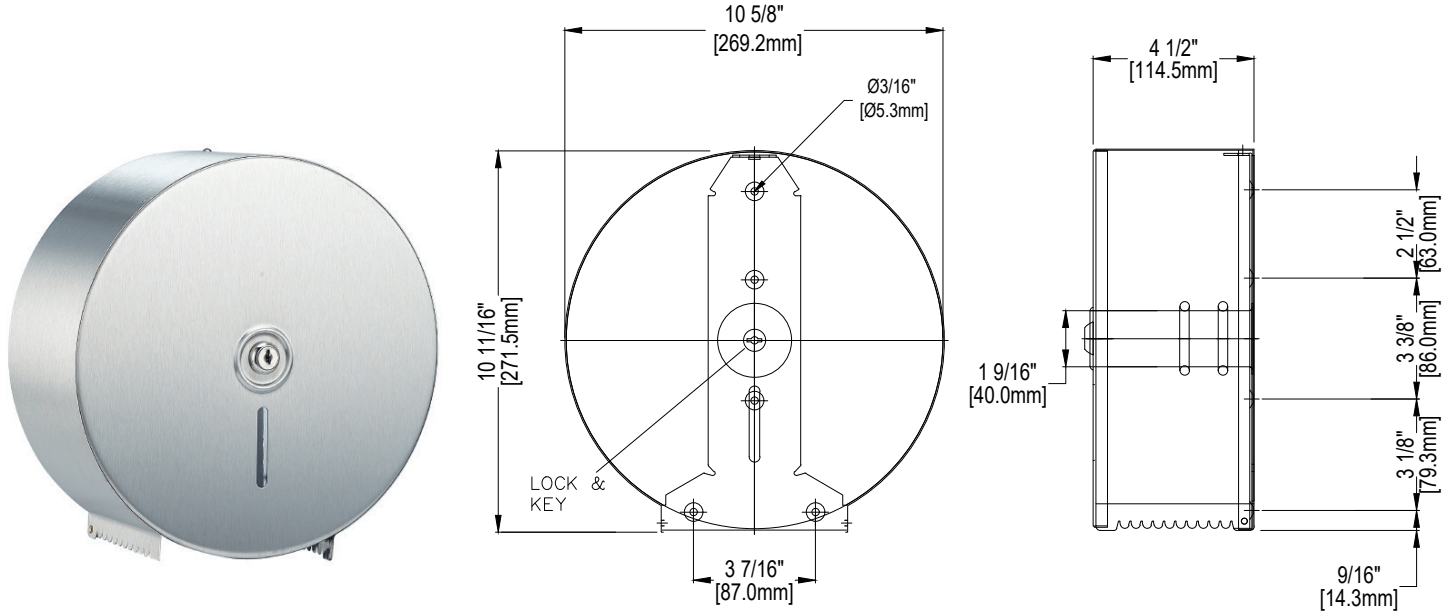


METPAR CORP

95 State Street, Westbury, NY 11590
Tel: (516)-333-2600 fax: 516-333-2618
sales@metpar.com ~ www.metpar.com

TOILET TISSUE DISPENSER SINGLE JUMBO ROLL SURFACE MOUNTED

Model # TTD-120-10



SPECIFICATION

Surface Mounted Single Jumbo Roll Toilet Tissue Dispenser shall hold one (1) roll up to 10" diameter (Ø254 mm) and 4-5/16" (110) wide with 1-5/8" inside diameter (Ø41.3) core minimum or 2-1/4" diameter (Ø57) core or larger. Unit shall accommodate smaller core size roll by removing the rubber core adapter O-rings (view "Operation" details below). Cover shall be of one-piece welded construction of 22-gauge type 304 stainless steel with welded skirt and shall be hung on stainless steel pin hinges. All exposed surfaces shall be #4 satin finish. Door shall be secured with a tumbler lock and shall have a refill indicator viewing slot. Opening on bottom of cabinet shall have stainless steel teeth on both sides for tearing toilet paper. Overall Dimensions: 10-5/8" W x 10-11/16" H x 4 1/2" D (270 x 271.5 x 114.5 mm)

Surface Mounted Single Jumbo Roll Toilet Tissue Dispenser shall be Model #TTD-120-10 of Metpar Corporation, 95 State Street, Westbury, NY 11590.

OPERATION

One (1) 10" (Ø254 mm) max OD jumbo roll of toilet paper with core ID of 2-1/4" (Ø57) or larger and 4-5/16" (110) face width may be hung on fixed spindle when cover is opened. Alternatively, one (1) 1-5/8" ID (Ø41.3) core roll may be used by removing the rubber core adapter rings. Refill indicator slot continuously reveals tissue level. Tumbler-locked door prevents unauthorized access or removal and swings down to replenish tissue roll. Roll is replaced on a cycle determined by maintenance needs.

INSTALLATION

Verify all rough-in dimensions prior to installation. Unlock unit and surface mount on wall making sure cabinet is level. Transfer mounting points to surface and drill pilot holes. Secure unit with proper fasteners per application. Load toilet tissue on spindle and close cabinet. Lock cabinet with keyed lock.