

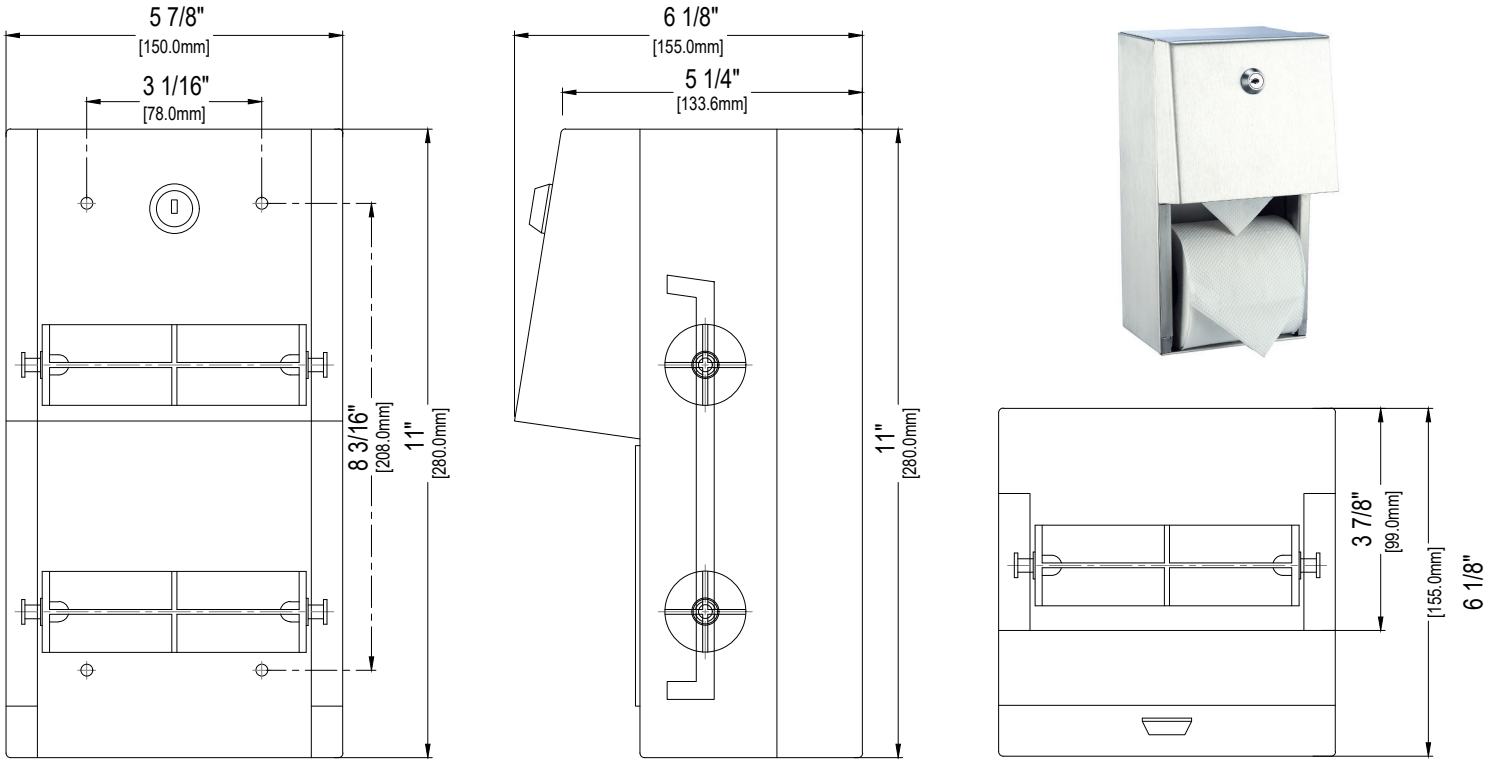


# METPAR CORP

95 State Street, Westbury, NY 11590  
Tel: (516)-333-2600 fax: 516-333-2618  
sales@metpar.com ~ www.metpar.com

## TOILET TISSUE DISPENSER DUAL ROLL SURFACE MOUNTED

Model # TTD-110



### SPECIFICATION

Surface Mounted Dual Roll Toilet Tissue Dispenser shall have a cabinet body and dispensing mechanism fabricated of #18 (back & hood) and #22 (body) gauge type 304 stainless steel alloy 18-8 forming a one piece construction, all exposed surfaces shall be satin #4 finish, accommodate two (2) standard-core toilet tissue rolls up to 5" (127mm) outside diameter with a maximum width of 4-11/16" (119mm), door shall be held closed and secured with a pin tumbler keyed lock. Cabinet shall include two (2) theft and vandal resistant spindle rollers that are black molded resistant plastic with plated steel endpoints. Overall Dimensions: 5 7/8" W x 11"H x 6 1/8" D (150mm x 280mm x 155mm).

Surface Mounted Dual Roll Toilet Tissue Dispenser shall be Model #TTD-110 of Metpar Corporation, 95 State Street, Westbury, NY 11590.

### OPERATION

Tissue rolls are loaded and locked into dispensing mechanism. Bottom roll is depleted prior to top roll automatically dropping into lower position for use. Depleted rolls cannot be removed without key unlocking door. Roll is replaced on a cycle determined by maintenance needs. Non-controlled spin dispensing.

### INSTALLATION

Unit to be surface mounted at desired or specified location on wall or partition using four (4) No. 8 self-tapping pan head screws furnished by manufacturer through back lower/upper mounting holes. For compliance with ADA Accessibility Guidelines, install unit so that the centerline of holder is at a minimum of 15" (381mm) above finished floor to a maximum of 48" (1219mm) above finished floor and centerline of dispenser shall be a minimum of 7" (178mm) to a maximum of 9" (229mm) from leading edge of the water closet and no more than 36" (914mm) from the back wall of stall.