

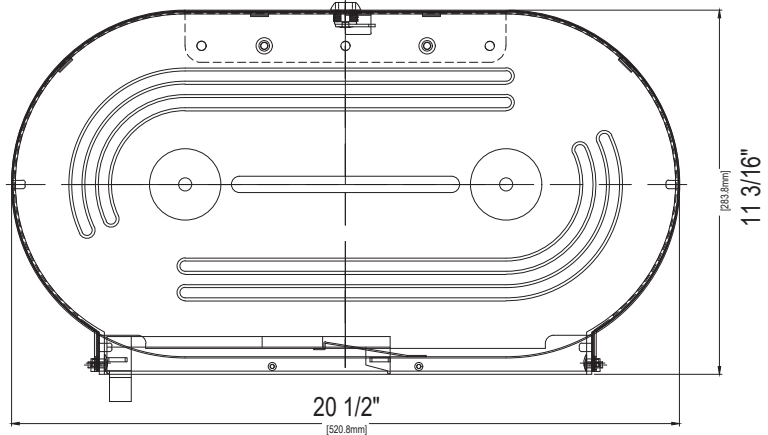
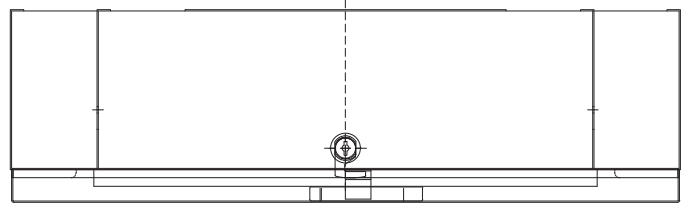
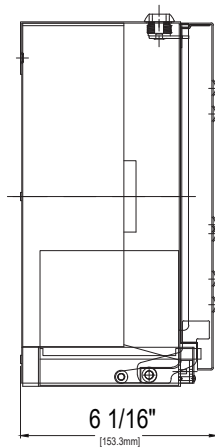


# METPAR CORP

95 State Street, Westbury, NY 11590  
Tel: (516)-333-2600 fax: 516-333-2618  
sales@metpar.com ~ www.metpar.com

TOILET TISSUE DISPENSER  
TWIN JUMBO ROLL  
SURFACE MOUNTED

Model # TTD-130



## SPECIFICATION

Surface Mounted Twin Jumbo Roll Double Toilet Tissue Dispenser shall hold two (2) 9" diameter (229mm) rolls of 3" diameter (76mm) or 2-1/4" diameter (57mm) core tissue. Cabinet, door, and mounting plate shall be 18-gauge #304 satin finish stainless steel and all components shall be of welded construction. Door shall be drawn from one-piece seamless construction with integral rigidizing ribs and shall be providing with tissue level viewing slot. Dispensing mechanism shall be fabricated of flame and chemical retardant ABS plastic. Door shall be hung on heavy-duty stainless-steel pivot hinges and shall be held closed by a lock keyed. Unit shall accommodate smaller core size rolls by removing the core adapters. Overall Dimensions: 20 1/2" W x 11 3/16" H x 6 1/16" D (520.8mm x 283.8mm x 153.3mm).

**Surface Mounted Twin Jumbo Roll Double Toilet Tissue Dispenser shall be Model #TTD-130 of Metpar Corporation, 95 State Street, Westbury, NY 11590.**

## OPERATION

Cabinet holds two (2) 9" (229mm) max OD jumbo rolls of toilet tissue that are mounted over 3" (76mm) ID core adapters. Alternately, two (2) 2-1/4" (57mm) ID core rolls may be used by removing the core adapters. When one roll of toilet tissue is depleted, the other roll is selected by shifting over the lever at the bottom of the unit. Refill indicator viewing slot continuously reveals tissue level. Tumbler-locked door prevents unauthorized access or removal and swings down to replenish tissue roll. Roll is replaced on a cycle determined by maintenance needs.

## INSTALLATION

Verify all rough-in dimensions prior to installation. Unlock unit and surface mount on wall making sure cabinet is level. Transfer mounting points to surface and drill pilot holes. Secure unit with (5) screws provided through mounting holes. Load toilet tissue rolls on spindles and close cabinet. Lock cabinet with keyed lock.